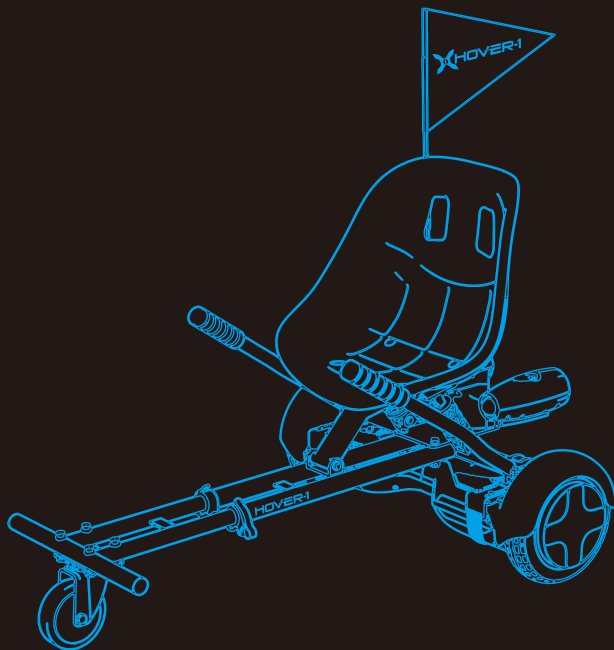


# X HOVER-1™ RAPTOR

HOVERBOARD ACCESSORY





[www.hover-1.com](http://www.hover-1.com)



@RideHover1



@RideHover1



@RideHover1





# WARRANTY

For warranty information, Please visit us at:  
[www.hover-1.com](http://www.hover-1.com)

**Please visit**  
*[www.hover-1.com/troubleshoot](http://www.hover-1.com/troubleshoot)*  
**to request missing  
or defective parts**

# X HOVER-1™ RAPTOR

HOVERBOARD ACCESSORY



Operation Manual H1-RPT-BGY Raptor

**IMPORTANT: KEEP FOR FUTURE REFERENCE**

*\*Images used in this manual may vary slightly from the product and are for reference purposes only.*

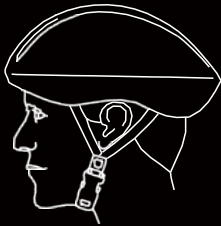


Even if you have ridden a Hoverboard for years, it is important for you and every rider to read this manual before using this product.

 **WARNING**

# HELMETS SAVE LIVES!

Always wear a properly fitted helmet that complies with CPSC or CE safety standards when you ride your Hoverboard.



**Correct Fitting:**  
Make sure your helmet  
covers your forehead.



**Incorrect Fitting:**  
Forehead is exposed and  
vulnerable to serious injury.

# INTRODUCTION

This manual is designed to give you the information you need for the safe operation and maintenance of your new Hover-1 Raptor. Please read it thoroughly before riding your Hover-1 Raptor.

## WARNING

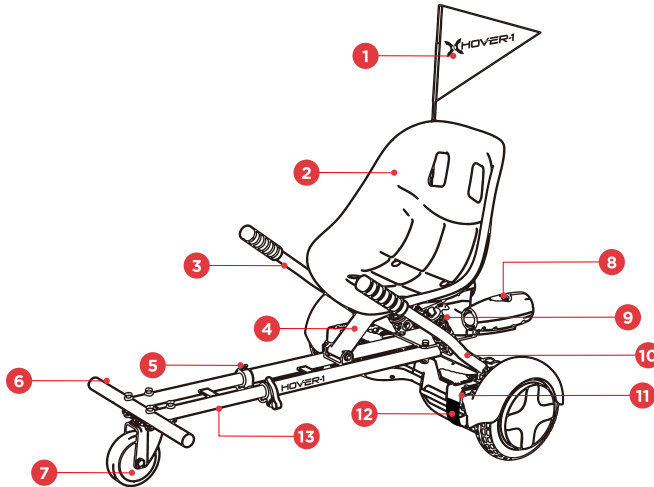
Make sure you read this complete manual before riding your Hover-1 Raptor. Failure to do so, or failure to follow its guidelines could lead to serious injury or death.

- Section One of this manual involves safety and Hover-1 Raptor care. Understanding and following this Information will help you and your Hover-1 Raptor avoid injury or damage.
- Section Two of this manual gives assembly and installation instructions for your Hover-1 Raptor.
- Section Three of this manual covers specific safety and operating instructions for your Hover-1 Raptor. Even if you are an experienced rider, you should review this section before your first ride.
- Section Four of this manual covers warranty specifications of your Hover-1 Raptor.



# HOVER-1 RAPTOR DIAGRAM

1. Racing Flag
2. Bucket Seat
3. Handle Bar (R)
4. Seat Frame
5. Locker
6. Foot Rests
7. Caster Wheel
8. Fog Blaster & Mount
9. Dual Shocks
10. Handle Bar (L)
11. Pedal Mounts
12. Adjustable Strap
13. Frame Extension




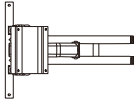
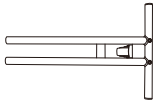
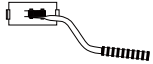
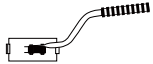



## SPECIFICATIONS

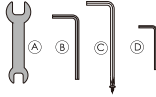




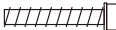





Compatibility:  
Max Load:  
Tire Size:  
Seat Material:

Most 6.5" Hoverboards  
See max load of your Hoverboard  
4" swivel caster  
PP

Please visit  
[www.hover-1.com/troubleshoot](http://www.hover-1.com/troubleshoot)  
to request missing  
or defective parts

# PARTS LIST

	(1) Seat
	(1) Frame/Suspension
	(1) Frame
	(1) Right Handle Bar
	(1) Left Handle Bar
	(2) Strap with velcro
	(4) Spare strap with velcro
	(4) Small Foam pad

	<b>Tool Set:</b> A Large Wrench B Small Hex Key C Larger Hex Key D Smaller Hex Key
	(2) Locker
	(4) Mounting Screw
	(1) Fog Blaster (1) USB-DC Cable
	(1) Fog Blaster Mount
	(4) 8*38 Screw
	(4) M6*16 Screw
	(4) 8mm Nut
	(4) 6mm Nut
	(2) Screw/Sleeve set
	(1) Flag Set (1) Mount

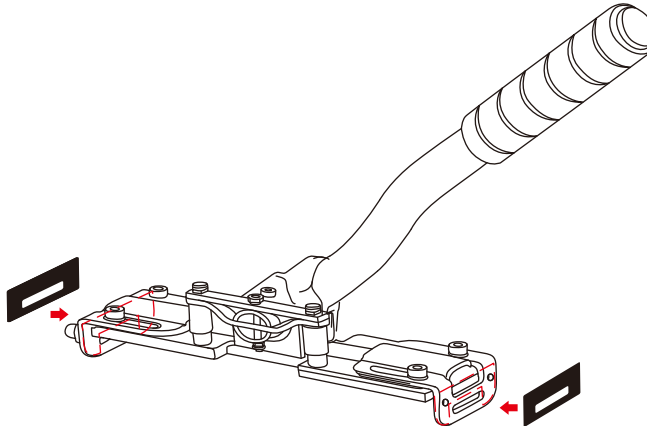
# ASSEMBLING YOUR HOVER-1 RAPTOR

If you have questions or concerns about any of these steps, please feel free to contact our Customer Service Team at [www.hover-1.com](http://www.hover-1.com). Someone will be in touch to walk you through these steps.

Carefully follow the steps shown on the following pages for assembling the Hover-1 Raptor.

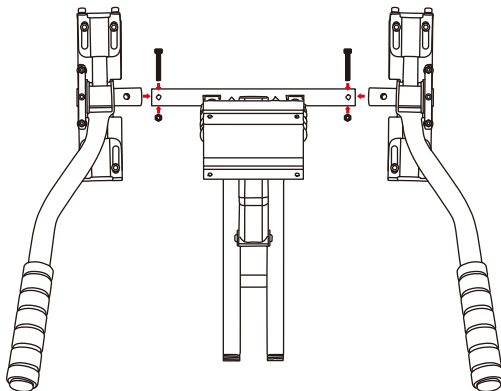
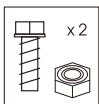
Remove all Hover-1 Raptor contents from the box. Ensure all contents from the “Parts List” section are accounted for.

1. Locate the 4 foam pads and both handle bars. Remove the adhesive backing from each foam pad and center to each side of the pedal mounts as shown below. Ensure all of the foam pads are properly adhered to pedal mounts.

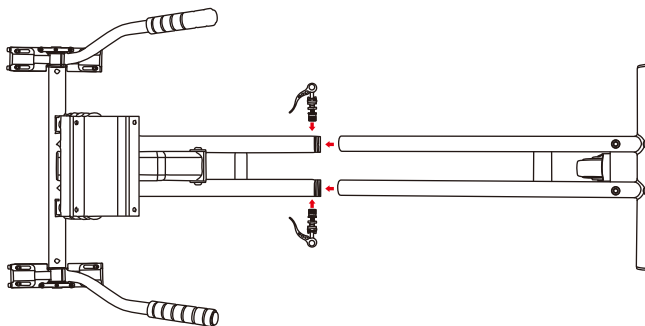


2. Locate the provided 8\*38 screw, 8mm nut and Large Hex Key. Attach the left and right handle bars to the seat frame as shown below.

Tools  
needed



3. Insert the frame into the seat frame. Adjust the frame and the seat frame to your preferred size. Secure the frame in place using the locker.

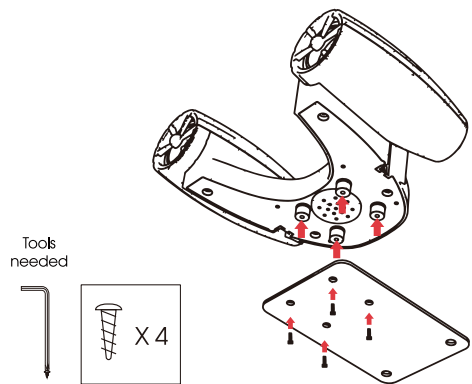


Please visit

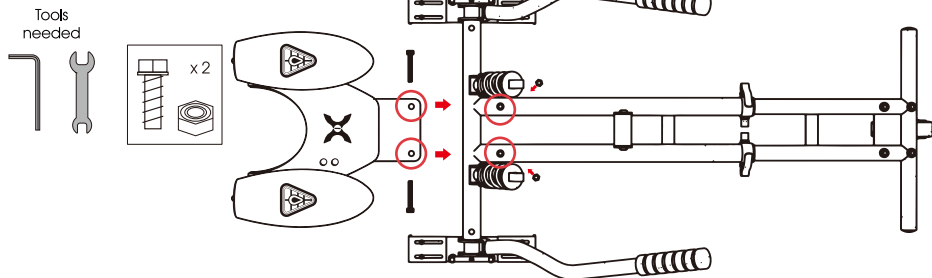
[www.hover-1.com/troubleshoot](http://www.hover-1.com/troubleshoot)

to request missing  
or defective parts

4. Attach the Fog Blaster to the Fog Blaster Mount then secure in place using a screwdriver and the included mounting screws as shown below.



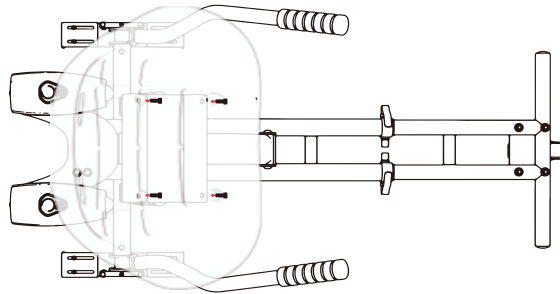
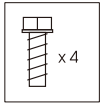
5. Align the holes of the Fog Blaster Mount to the holes of the Frame Base, attach as shown below with 8\*38 screw and anti-slip 8 nut.



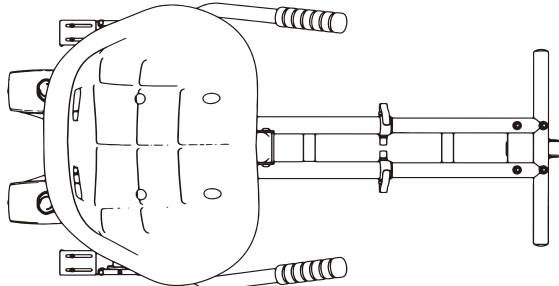
Please visit  
[www.hover-1.com/troubleshoot](http://www.hover-1.com/troubleshoot)  
to request missing  
or defective parts

6. Align the holes of the shock with screw and sleeve set, align the holes of the Bucket Seat with the holes of the Frame Base and Fog Blaster Mount. Use the Large Hex Key to fasten four of the M8 Short Screws. Secure the Bucket Seat to the frame using the Large Wrench with four Anti-Slip M8 Nuts as shown below.

Tools  
needed



7. Your Hover-1 Raptor is now assembled!



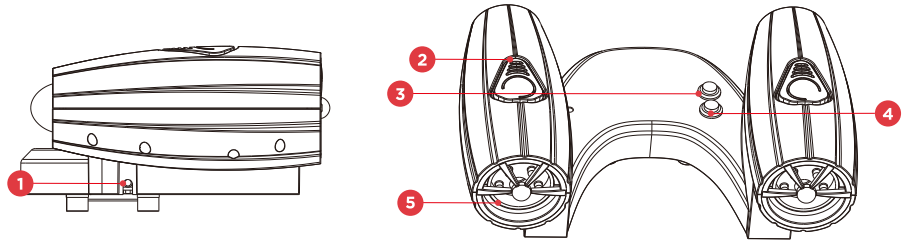
Please visit

[www.hover-1.com/troubleshoot](http://www.hover-1.com/troubleshoot)

to request missing  
or defective parts

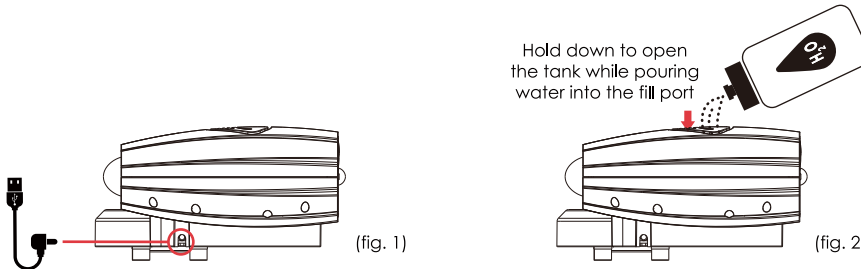
# FOG BLASTER DIAGRAM

1. Charging Port
2. Water Tank Fill Port
3. Power Button
4. Fog & Sound Effects Button
5. Fog Vent & LED Lights



## USING & MAINTAINING YOUR FOG BLASTER

Before using the Fog Blaster, charge it by connecting the included Charge Cable to the Charging Port and a USB outlet (fig 1.). The red light will be on while charging. When the light turns off, your Fog Blaster is fully charged. Charge for up to 4 hours. Remove the USB plug from its outlet. Next, push and hold down the Water Tank buttons while pouring water into the fill port (fig 2.). Release when filled. Do not overfill!



(fig. 1)

(fig. 2)

Please visit

[www.hover-1.com/troubleshoot](http://www.hover-1.com/troubleshoot)

to request missing  
or defective parts

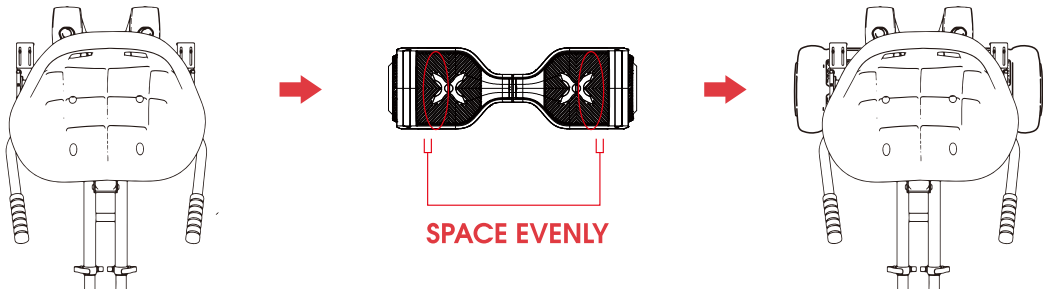
# INSTALLING YOUR HOVER-1 RAPTOR

If you have questions or concerns about any of these steps, please feel free to contact our Customer Service Team at [www.hover-1.com](http://www.hover-1.com). A representative will be in touch to walk you through these steps.

Carefully follow the steps shown on the following pages for installing the Hover-1 Raptor onto your Hoverboard. Read this entire manual before riding your Hover-1 Raptor.

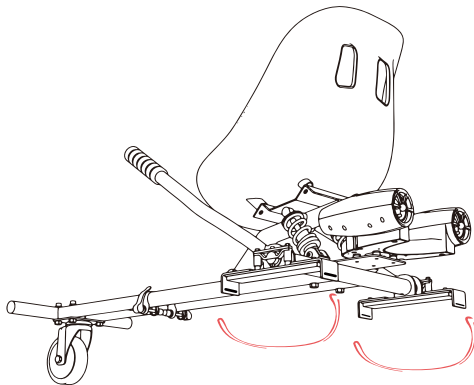
Your Hover-1 Raptor must be completely assembled before installing it onto your Hoverboard. Please refer to the "Assembling your Hover-1 Raptor" section for assembling procedures.

1. Place the pedal mounts onto the footpad sensors of your Hoverboard with the front wheel facing forward. Ensure the pedal mounts are centered on the footpad sensors of your Hoverboard as much as possible. Ensure the foam pads are attached to the bottom of the pedal mounts so that the Raptor does not touch the footpad sensors on the Hoverboard.

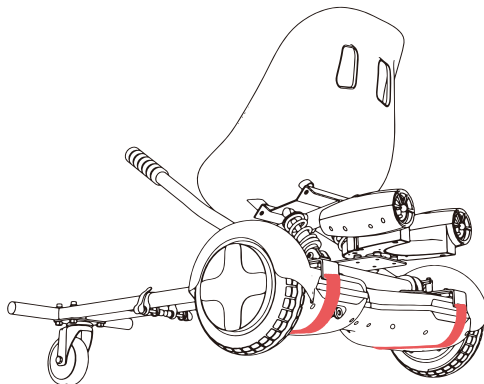
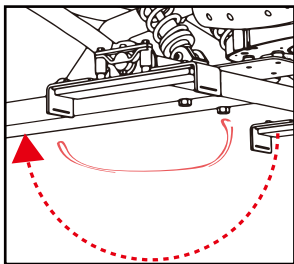




2. Using two Velcro Straps, attach one end of each Velcro Strap to the holes on the front of each pedal mount as shown below.



3. Wrap both Velcro Straps under your Hoverboard and attach the ends to the hooks on back of each pedal mount.

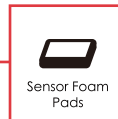
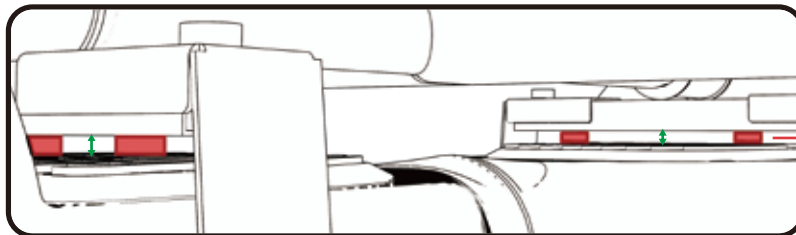


Please visit

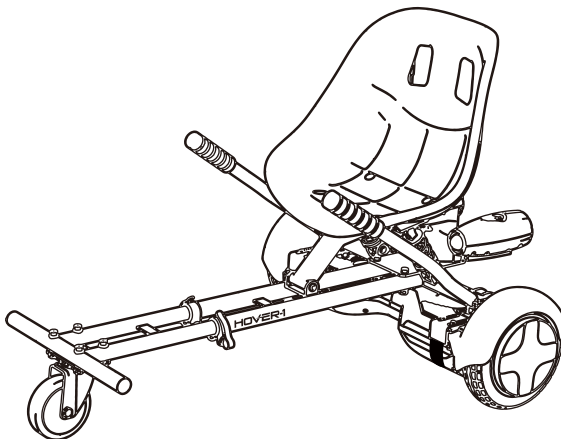
[www.hover-1.com/troubleshoot](http://www.hover-1.com/troubleshoot)

to request missing  
or defective parts

4. **WARNING:** Do not over tighten straps when you are assembling your Raptor to your Hoverboard. Ensure that the Raptor is securely attached to the Hoverboard. See below diagram for correct fitting.



5. When fully installed, your Hover-1 Raptor should look like the diagram below.



Please visit

[www.hover-1.com/troubleshoot](http://www.hover-1.com/troubleshoot)

to request missing  
or defective parts

# BEFORE RIDING

## WARNING

Any Hoverboard that does not work properly can cause you to lose control and fall. Inspect the entire device thoroughly before every ride, and do not ride it until any problems have been corrected.

### **HOVER-1 RAPTOR OPERATION**

It is important that you fully understand all elements of your Hover-1 Raptor. If these elements are not used correctly, you will not have full control of your Hover-1 Raptor. Before you ride fast, or outside of a controlled environment, learn the functions of the various mechanisms on your Hover-1 Raptor.

Practice using the elements of your Hover-1 Raptor at slower speeds in a flat, open area before taking the Hover-1 Raptor to unfamiliar areas.

## WARNING

Do not ride a Hover-1 Raptor with a part that is damaged; replace the damaged part before riding.

# PRE-RIDE HOVER-1 RAPTOR CHECKLIST

Ensure that your Hover-1 Raptor and Hoverboard are in proper working order each and every time you ride. If a part of the Hover-1 Raptor does not function correctly, please contact our Customer Support Center.

- Ensure the battery of your Hoverboard is fully charged before riding your Hover-1 Raptor.
- Ensure that the screws and nuts on the Hover-1 Raptor are tightly secured before each ride.
- Check to ensure the tires of your Hoverboard are not worn.
- Check to ensure all connections are maintained on your Hoverboard.
- Make sure your hoverboard is calibrated and running properly.

# SAFETY PRECAUTIONS

The first rule in safe riding is to use common sense. A Hover-1 Raptor is vulnerable; it cannot protect you in a crash, against impact, or loss of control the way driving a car can. A Hover-1 Raptor can tip over sideways or pitch you over the front wheel. It moves faster than a typical Hoverboard. It does not have bumpers or airbags as a car does. This section is a guide of safe riding practices for operation. Make sure you are using your Hover-1 Raptor properly.

Different localities and countries have different laws governing riding on public roads, and you should check with local officials to ensure you are complying with these laws.

Hover-1 is not liable for tickets or violations given to riders who do not follow these regulations.

- For your safety, always wear a helmet that meets CPSC or CE safety standards. In the event of an accident, a helmet can protect you from serious injury and in some cases, even death.
- Obey all local laws, stop signs, pedestrian crosswalks, etc.
- If riding with friends and multiple Hover-1 Raptor's, ride single file in a straight line.
- Have a satisfactory signaling device (bell, horn, etc.) to warn drivers and pedestrians of your approach.
- Ride defensively; expect the unexpected.
- Give pedestrians the right-of-way.
- Do not ride too close to pedestrians and alert them if you intend to pass them from behind.

- Slow down at all street intersections and look to the left and right before crossing.
- Obey all traffic signals.
- Always use proper hand signals for turning and stopping. Give signals 100ft before stopping or turning and always return both hands to the handle bars before stopping or turning.
- Watch for cars pulling out into traffic and for the sudden opening of car doors.
- Avoid potholes, drainage grates or other hazards.
- Be careful when riding on soft road edges, gravel, sand and uneven surfaces. Ride slowly and avoid quick turns when riding on these surfaces.
- Never hitch onto other vehicles.
- Do not "stunt" ride or race in traffic.
- Do not weave in and out of traffic or swerve from side to side.
- A crash can put extraordinary stress on Hover-1 Raptor components, possibly causing them to fatigue prematurely. Components suffering from stress fatigue can fail suddenly, causing loss of control or serious injury.

### **CAUTION: RIDING IN WET WEATHER**

It is recommended that you do not ride your Hover-1 Raptor in wet weather as there are electronic components of Hoverboard that may be damaged if exposed to water and stopping distances can be greater than in dry conditions.

1. This product is strictly forbidden to use on roads and highways unless your local laws state otherwise. You must wear a safety helmet, knee and elbow pads and other necessary protective gear when riding your Hover-1 Raptor.
2. Due to the particularity of the product, the assembly pieces are to be checked before every ride to avoid an accident while riding.
3. Do not make a sharp turns as you may drift and overturn the Hover-1 Raptor which can result in injury to yourself and/or damage the unit.
4. Do not operate near swimming pools or other bodies of water.

### **WARNING:**

To reduce the risk of injury, adult supervision is required. Never use in roadways, near motor vehicles, on or near steep inclines or steps, swimming pools or other bodies of water; always wear shoes, and never allow more than one rider.

# RIDING YOUR HOVER-1 RAPTOR

Ensure your Hover-1 Raptor is fully assembled and correctly installed onto your Hoverboard with all straps, screws and nuts secured in place. Ensure your Hoverboard is properly maintained as well. Failure to do so may result in serious bodily harm or death and damage to the unit.

After reviewing the pre-ride checklist, follow the steps below to begin riding your Hover-1 Raptor.

1. Turn on your Hoverboard.
2. Sit comfortably in the Hover-1 Raptor seat.
2. Place your feet onto the foot rests.
3. Firmly grip both handle bars and slowly push them downward simultaneously to move forward.
4. When riding, slowly pull both handle bars upwards simultaneously to brake.
5. To reverse, slowly pull both handle bars upwards simultaneously.
6. To turn left, push the right handle bar down while holding the left handle bar in neutral position.
7. To turn right, push the left handle bar down while holding the right handle bar in neutral position.