

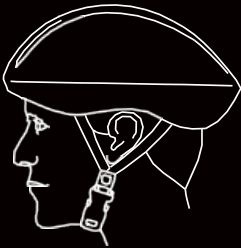
BLACKHAWK



OPERATION MANUAL
BMZ-BHWK

HELMETS SAVE LIVES!

Always wear a properly fitted helmet that complies with CPSC or CE safety standards when you ride your scooter.



Correct Fitting:

Make sure your helmet covers your forehead.



Incorrect Fitting:

Forehead is exposed and vulnerable to serious injury.

WARNING

As with all mechanical components, the Hover-1 Blackhawk is subjected to wear and high stresses. Different materials and components may react to wear or fatigue in different ways. If the design life of a component has been exceeded, it may suddenly fail possibly causing injuries to the rider. Any form of crack, scratch or change of coloring in highly stressed areas indicate that the life of the component has been reached and it should be replaced. Do not ride in an abusive manner.

CAUTION

In this manual, the CAUTION sign indicates a hazardous situation which, if not avoided, can cause minor or moderate injury.

WARNING

In this manual, the WARNING sign indicates a hazardous situation which, if not avoided, can cause death or serious injury.

WARNING

Great care should be taken with the Hover-1 Blackhawk when folding or unfolding. If you do not understand how to operate the levers, please visit www.Hover-1.com

**DO NOT RIDE YOUR HOVER-1 BLACKHAWK
WITHOUT ALL RELEASES SECURELY LOCKED.**

WARNING!

PLEASE READ THE USER MANUAL THOROUGHLY.

Failure to follow the basic instructions and safety precautions listed in the user manual can lead to damage to your device, other property damage, serious bodily injury, and even death.

Thank you for purchasing the Hover-1 Blackhawk. Please read all instructions carefully before using and retain this manual for future use and reference.

This manual applies to the Hover-1 Blackhawk.

- In order to avoid dangers that are caused by collisions, falls, and loss of control, please learn how to ride the Blackhawk safely.
- You can learn operating skills by reading the product manual and watching videos.
- This manual includes operating instructions and precautions. Users must read it carefully and follow the instructions.
- All users are responsible for any consequences caused by violating warning contents or prompt operations. Hover-1 can not be held liable.

ATTENTION

1. Use only the supplied charger with this scooter.

Charger Manufacturer: SHENZHEN XIN HENG TYCO ELECTRONICS CO.,LTD

Model: XHK-800B-4220

2. The operating temperature range of the charger is 32 – 104° F (0 – 40° C).

3. The operating temperature range of the E-Scooter is 32 – 104° F (0 – 40° C).

4. Do not ride on icy or slippery surfaces

5. Read the operation manual and warning labels before riding.

6. Store the Blackhawk in a dry, ventilated environment.

7. When transporting the Blackhawk, avoid violent crashes or impact.

LOW TEMPERATURE WARNING

Low temperature will affect the lubrication of moving parts inside the Blackhawk, increasing internal resistance. At the same time, in low temperatures, the discharge capacity and the capacity itself of the battery will be significantly decreased.

Use caution when riding the Blackhawk in cold temperatures (below 40 degrees F).

Doing so may increase the risk of mechanical failures of the scooter, which may lead to damage to your device, other property damage, serious bodily injury and even death.

SAFETY INSTRUCTIONS

- Keep the device away from heat sources, direct sunlight, humidity, water and any other liquids.
- Do not operate the device if it has been exposed to water, moisture or any other liquids to prevent against electric shock, explosion and/or injury to yourself and damage to the device.
- Do not use the device if it has been dropped or damaged in any way.
- Repairs to electrical equipment should only be performed by the manufacturer. Improper repair voids the warranty and may place the user at serious risk.
- Do not puncture or harm the exterior surface of the product in any way.
- Keep the device free from dust, lint, etc.
- Do not use this device for anything other than its intended use or purpose. Doing so may damage the device or lead to property damage, injury or death.
- This product is not a toy. Keep out of reach of children.
- Do not expose batteries, battery pack, or batteries installed to excessive heat, such as direct sunlight, or open flame.
- Do not allow hands, feet, hair, body parts, clothing or similar articles to come in contact with moving parts, wheels or drive-train, while the Blackhawk is running.

- Do not operate, or allow others to operate, the Hover-1 Blackhawk, until the user understands all instructions, warnings and safety features described in this manual.
- Check with your doctor if you have a medical condition that could affect your ability to use the Hover-1 Blackhawk.
- Persons with head, back or neck ailments or prior surgeries to those areas of the body are not recommended to use this Hover-1 Blackhawk.
- Do not operate if you are pregnant, have a heart condition, or have both.
- Persons with any mental or physical conditions that may make them susceptible to injury or impair their physical or mental capabilities to recognize, understand and perform all of the safety instructions and to be able to assume the hazards inherent in unit use, should not use the Hover-1 Blackhawk.



NOTES:

In this manual, the above symbol with the word "NOTES" indicates instructions or relevant facts the user should remember prior to using the device.



CAUTION!

In this manual, the above symbol with the word "CAUTION" indicates a hazardous situation which, if not avoided, can cause minor or moderate injury.



WARNING!

In this manual, the above symbol with the word "WARNING" indicates a hazardous situation which, if not avoided, can cause death or serious injury.

SERIAL NUMBER

Please keep the serial number on file for warranty claims as well as proof of purchase.



WARNING!

WARNING: Prolonged exposure to UV rays, rain and the elements may damage the enclosure materials. Store indoors when not in use.

INTRODUCTION

This manual is designed to give you the information you need for the safe operation and maintenance of your new Blackhawk scooter. Please read it thoroughly before riding your Blackhawk.

WARNING

Make sure you read this complete manual before riding your Hover-1 Blackhawk. Failure to do so, or failure to follow its guidelines could lead to serious injury or death.

The Blackhawk is a personal transporter. Our technology and production processes are developed with strict testing for each Blackhawk scooter. Operating the Blackhawk without following the contents of this manual may lead to damage to your Blackhawk scooter, or bodily injury.

PACKAGE CONTENTS

- Hover-1 Blackhawk Electric Folding Scooter
- Charging Cable
- Charger
- Allen Wrench
- Operation Manual

Your Hover-1 Blackhawk's serial number is stamped respectively on the bottom of the platform. Record the serial number in the designated area of the "WARRANTY" section of this manual in the event that your Hover-1 Blackhawk is lost or stolen.

SAFETY PRECAUTIONS

- The first rule in safe riding is to use common sense.
- Different localities and countries have different laws governing riding electric transportation devices on public roads.
- You should check with local officials to ensure you are complying with local traffic law requirements.
- Hover-1 is not liable for tickets or violations given to riders who do not follow local laws and regulations.
- For your safety, always wear a helmet that meets CPSC or CE safety standards. In the event of an accident, a helmet can protect you from serious injury and in some cases, even death.

- Obey all local traffic laws. Obey red and green lights, one-way streets, stop signs, pedestrian crosswalks, etc.
- Ride with the traffic, not against it.
- Ride defensively; expect the unexpected.
- Give pedestrians the right-of-way.
- Do not ride too close to pedestrians and alert them if you intend to pass them from behind.
- Slow down at all street intersections and look to the left and right before crossing.

Your Blackhawk electric folding scooter is not equipped with reflectors.

It is not recommended that you ride in conditions of low visibility.

If you are riding your scooter in low-visibility conditions, ensure your LED light is turned on, and that you are wearing bright, reflective clothing.

WARNING

When you ride in low-visibility conditions such as fog, dusk, or night, you might be difficult to see, which could lead to a collision. To increase your level of safety, be sure wear bright, reflective clothing when riding in poor lighting conditions.

Think about safety when you ride. You can prevent many accidents if you think about safety. Below is a helpful checklist for riders.

SAFETY CHECKLIST

- Do not ride above your skill level. Ensure you have had enough practice with all functions and features of your Blackhawk.
- Do not ride too fast – with increased speed comes increased risk. If you are moving at a higher speed, small bumps can turn into large impacts, leading to a higher risk of injury if an accident occurs.
- Do not ride with pets.
- Before stepping on your Blackhawk, make sure it is placed flat on level ground and the power is on.

- Do not try to open or modify your Blackhawk scooter. Doing so, voids the manufacturer warranty and may cause your Blackhawk to fail, resulting in injury or death.
- Do not use the Blackhawk in a manner that would put people or property in danger.
- If you and your friend(s) are riding Blackhawk scooters together, be sure to keep a safe distance between each other to prevent collisions, property damage, serious injuries or even death.
- Be sure to keep your feet on the scooter at all times. Moving your feet off your scooter while driving is dangerous and may cause the scooter to stop or veer sideways.
- Do not operate the Blackhawk while under the influence of drugs and/or alcohol.
- Do not operate the Blackhawk when you are restless or sleepy.
- Use your best judgment to keep yourself out of dangerous situations with your Blackhawk.
- Do not ride your Blackhawk scooter off of curbs, ramps, or attempt to operate in a skate park, empty pool, or in any way similar to a skateboard. Misuse of your Blackhawk, voids the manufacturer warranty and may lead to injury or damage.
- Do not abuse your Blackhawk, doing so can damage your unit and cause failure to the operating system which may lead to injury. Physical abuse, including dropping your Blackhawk scooter, voids the manufacturer warranty.
- Do not operate in or near puddles of water, mud, sand, stones, gravel, debris or near rough and rugged terrain.
- The Blackhawk can be used on paved surfaces that are flat and even. If you encounter uneven pavement, please lift your Blackhawk scooter over and past the obstruction.
- Do not ride in inclement weather: snow, rain, hail, sleet, on icy roads or in extreme heat or cold.
- Bend your knees when riding on bumpy or uneven pavement to absorb the shock and vibration and help you keep your balance.
- If you are unsure if you can safely ride on a specific terrain, step off

WARNING

Proper use of your brake is vital to ensure safe, efficient stopping. To avoid misuse and potential injury, do not apply sudden or excessive force to your brakes. Apply your brakes gradually and give yourself enough room to come to a complete stop safely.

and carry your Blackhawk. ALWAYS BE ON THE SIDE OF CAUTION.

- Do not attempt to ride over bumps or objects greater than ½ in. even when prepared and bending your knees.
- PAY ATTENTION - look at where you are riding and be conscious of the road conditions, people, places, property and objects around you.
- Do not operate the Blackhawk scooter in crowded areas.
- Operate your Blackhawk scooter with extreme caution when indoors, especially around people, property, and narrow spaces.
- Do not operate the Blackhawk while talking, texting, or looking at your phone.
- Do not ride your Blackhawk scooter where it is not permitted.
- Do not ride your Blackhawk near motor vehicles or on public roads.
- Do not travel up or down steep hills.
- The Blackhawk is intended for use by a single individual, DO NOT attempt to operate the Blackhawk with two or more people.
- Do not carry anything while riding the Blackhawk scooter.
- Individuals with lack of balance should not attempt to operate the Blackhawk scooter.
- Pregnant women should not operate the Blackhawk scooter.
- Young children and the elderly should not operate the Blackhawk.
- At higher speeds, always take into consideration longer stopping distances.
- Do not attempt to jump on or off your Blackhawk scooter.

WARNING

When you ride in low-visibility conditions such as fog, dusk, or night, you might be difficult to see, which could lead to a collision. In addition wear bright, reflective clothing when riding in poor lighting conditions.

- Do not attempt any stunts or tricks with your Blackhawk scooter.
- Do not ride the Blackhawk in dark or poorly lit areas.
- Do not ride the Blackhawk near or over potholes, cracks or uneven pavement or surfaces.
- Do not operate your Blackhawk scooter off-road.
- Do not turn sharply, especially at high speeds.
- Do not exceed the maximum or minimum weight limits.
- Avoid driving the Blackhawk in unsafe places, including near areas with flammable gas, steam, liquid, dust, fiber, which could cause fire and explosion accidents.
- Do not operate near swimming pools or other bodies of water.

WARNING

There may be additional risk to injury if you use your scooter incorrectly. This includes, but is not limited to:

- Jumping your scooter
- Riding over debris or obstacles
- Performing stunts
- Riding in off-road terrain
- Riding fast
- Racing other riders
- Riding in unusual manner

The aforementioned examples add stress to each part of your scooter and can lead to long term damage of the device. Damage to your scooter can lead to an accident or increase your risk of injury. To decrease your risk of injury, use your scooter correctly.

WARNING

To reduce the risk of injury, adult supervision is required. Never use in roadways, near motor vehicles, on or near steep inclines or steps, swimming pools or other bodies of water; always wear shoes, and never allow more than one rider.

CARE & MAINTENANCE

- Do not expose the device to liquid, moisture, or humidity to avoid damage to the product's internal circuitry.
- Do not use abrasive cleaning solvents to clean the device.
- Do not expose the device to extremely high or low temperatures as this will shorten the life of the electronic device, destroy the battery, and/or distort certain plastic parts.
- Do not dispose of the device in fire as it may explode or combust.
- Do not expose the device to contact with sharp objects as this will cause scratches and damage.
- Do not let the device fall from high places, as doing so may damage the internal circuitry.
- Do not attempt to disassemble the device.
- Use only the charger provided by Hover-1.

WARNING

Avoid using water or other liquids for cleaning. If water or other liquids enter the Blackhawk, it will cause permanent damage to the internal components.

WARNING

Users who disassemble the Blackhawk scooter without permission will void the warranty.

BATTERY CARE / MAINTENANCE

BATTERY SPECIFICATIONS

Battery Type: Rechargeable lithium-ion battery

Charge Time: Up to 7 hours

Battery Voltage: 36V

Battery Capacity: 10 Ah

Working Temperature: 32°F - 104°F

Charging Temperature: 32°F - 104°F

Storage Time: 1 year

Storage Temperature: -4°F - 104°F

Storage Humidity: 5% - 95%

BATTERY MAINTENANCE

- When charging the device, please use the enclosed 1-pin charging cable or otherwise ensure that the battery charging conditions are met.
- Do not connect or attach the device or the battery to a power supply plug or directly to a car's cigarette lighter.
- Do not place the device or batteries near a fire, or into direct sunlight. Heating the device and/or the battery can cause additional heating, breaking, or ignition of the battery inside the device.
- Do not continue charging the battery if it does not recharge within the specified charging time. Doing so may cause the battery to become hot, rupture, or ignite.

To preserve natural resources, please recycle or dispose of batteries properly. This product contains lithium-ion batteries. Local, state, or federal laws may prohibit disposal of lithium-ion batteries in ordinary trash. Consult your local waste authority for information regarding available recycling and/or disposal options.

WARNING

Failure to follow the safety precautions listed below could lead to serious bodily injury and/or death.

- Do not use your device if the battery begins to emit odor, overheats, or begins to leak.
- Do not touch any leaking materials or breathe fumes emitted.
- Do not allow children and animals to touch the battery.
- The battery contains dangerous substances, do not open the battery, or insert anything into the battery.
- Please only use the charger provided by Hover-1.
- Do not attempt to charge the device if the battery has discharge or emits any substances. In that case, immediately distance yourself from the battery in case of fire or explosion.
- Lithium-ion batteries are considered to be hazardous materials. Please follow all local, state and federal laws in regards to recycling, handling and disposing of Lithium-ion batteries.

 **WARNING**

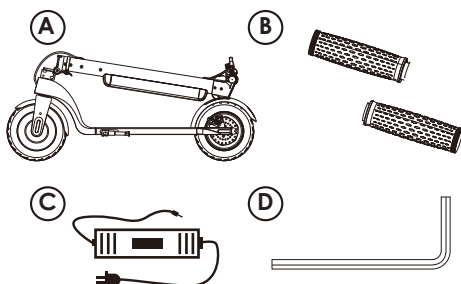
SEEK IMMEDIATE MEDICAL ASSISTANCE IF
YOU ARE EXPOSED TO ANY SUBSTANCE
THAT IS EMITTED FROM THE BATTERY.

SPECIFICATIONS

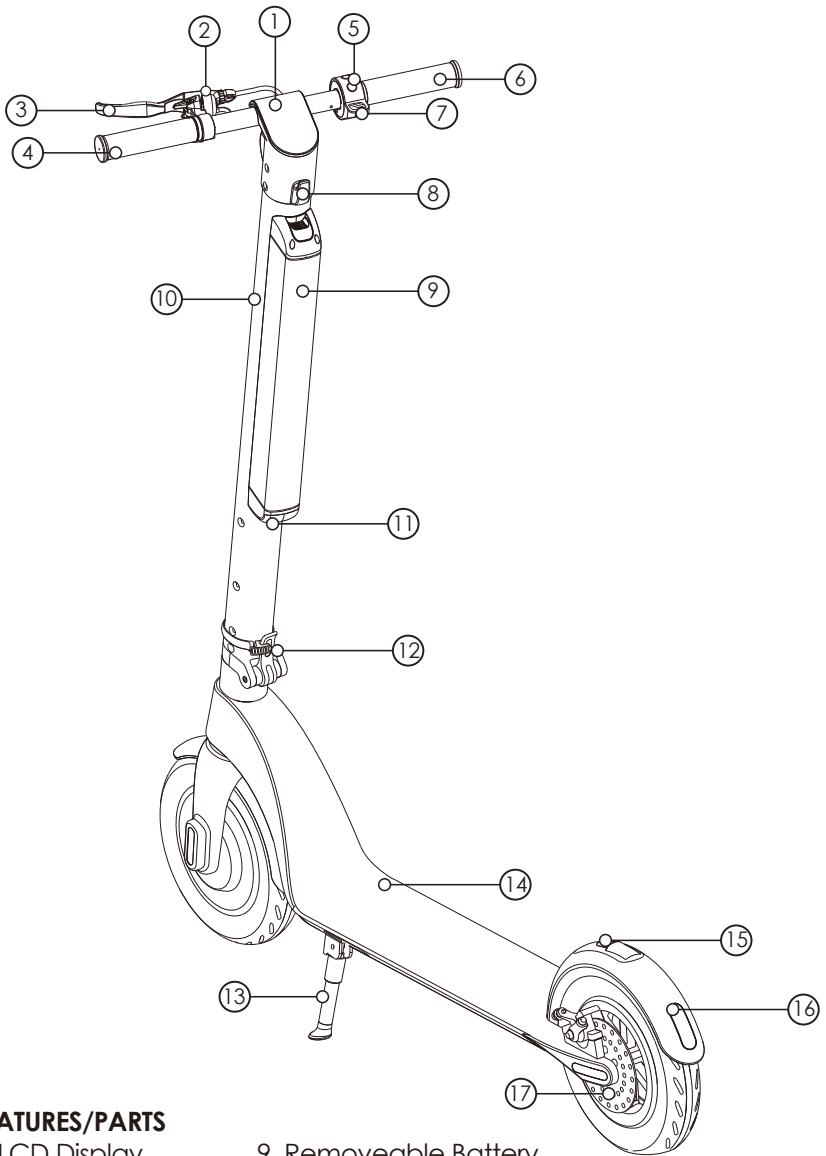
Model:	BMZ-BHWK
Net Weight:	33 lbs (15 kg)
Max Supported Weight:	220 lbs (100 kg)
Min Supported Weight:	44 lbs (20 kg)
Max Speed:	Up to 18 mph (34 km/h)
Max Distance Range:	Up to 28 miles (45 km)
Battery Type:	Lithium-ion
Motor Power:	350W Brushless Motor
Battery Voltage:	36 V
Battery Capacity:	10Ah (40 Cell)
Power Requirement:	100-240V, 50/60Hz
Folding Size:	(42.7 in. x15.8 in. x 18.2 in.) (108.3 cm x 40 cm x 46 cm)
Open Size:	(42.7 in. x15.8 in. x 46.7 in.) (108.3 cm x 40 cm x 118.6 cm)
Tire Type:	Pneumatic Rubber Tires
Tire Size:	10" Front & Rear
Brake Type:	Handle Activated Rear Disk & Mechanical Foot

PARTS LIST

- A.** Scooter Frame
- B.** Handle Bar Assembly
- C.** Charger + Charging Cable
- D.** Allen Wrench



HOVER-1 BLACKHAWK DIAGRAM



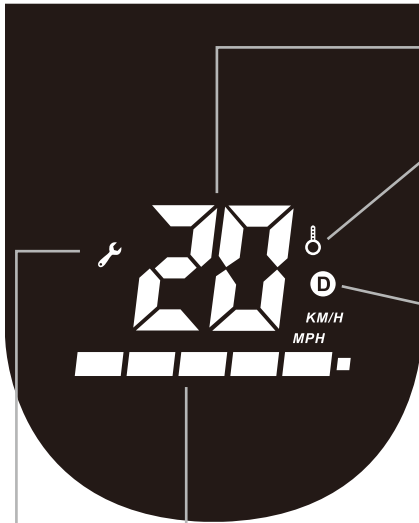
FEATURES/PARTS

- | | |
|------------------|-----------------------|
| 1. LCD Display | 9. Removeable Battery |
| 2. Bell | 10. Steering Column |
| 3. Brake Handle | 11. Charging Port |
| 4. Handlebars(L) | 12. Folding Lock |
| 5. Power Button | 13. Kickstand |
| 6. Handlebars(R) | 14. Scooter Platform |
| 7. Throttle | 15. Folding Hook |
| 8. Folding Clip | 16. Brake Light |
| | 17. Rear Disc Brake |

HOVER-1 BLACKHAWK DIAGRAM



LCD DISPLAY



SPEEDOMETER

Displays your current speed

HIGH TEMPERATURE ALARM ICON

When the temperature of the device's control board is high, this warning will appear and flash on your display. Stop riding immediately, turn off your scooter, and allow your scooter to cool for half an hour before riding again.

MODE ICON

Indicates current speed mode.
Off = Beginner
White = Medium
Red = Sport

SPEED UNIT

Indicates mph or km/h.

BATTERY INDICATOR

Displays your current battery level.

ERROR INDICATOR

Indicates issues with the scooter.

CHARGING YOUR BLACKHAWK

CHARGING THE DEVICE

- Ensure that the charging port is clean and dry.
- Make sure that there is no dust, debris or dirt inside the port.
- Plug the charger into a grounded wall outlet.
- Connect the cable with the power supply (100V ~ 240V; 50/60 Hz).
- Align and connect the 1-pin charging cable into the charging port of the Blackhawk Scooter.

(DO NOT FORCE OR BEND THE CHARGING CABLE AS IT MAY CAUSE THE PRONGS TO BEND OR BREAK.)

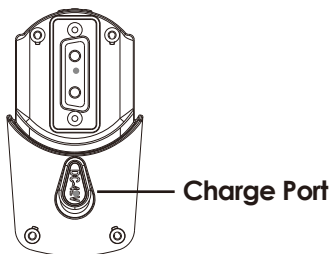
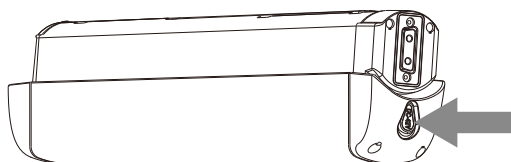
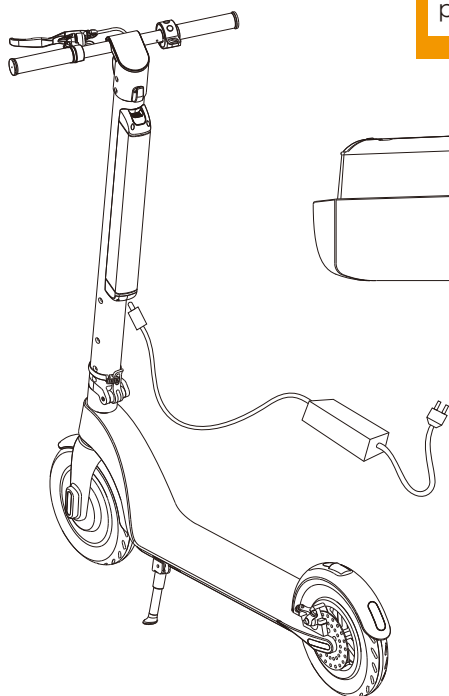
- The charging indicator light on the charger itself should change to RED, indicating that your device is now being charged.
- When the RED indicator light on your charger turns to GREEN, then your device is fully charged.
- After fully charging your Blackhawk Scooter, unplug the charger from your device and from the power outlet.

⚠ CAUTION

Only use the included charging cable and charger to charge your Hover-1 Blackhawk. Using any other unauthorized charger may damage your Hover-1 Blackhawk.

⚠ WARNING

Any Blackhawk that does not work properly can cause you to lose control and fall. Inspect the entire device thoroughly before every ride, and do not ride it until any problems have been corrected.



PREPARING YOUR SCOOTER

PLEASE READ THE FOLLOWING INSTRUCTIONS CAREFULLY

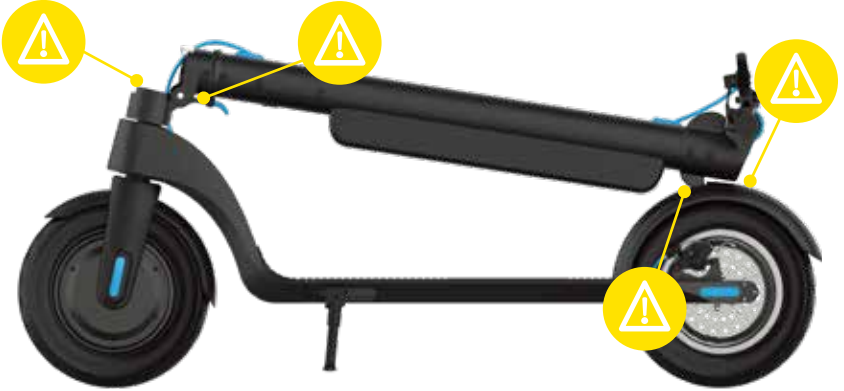
ATTACHING THE HANDLEBARS AND BRAKE

1. Attach the right handlebar by placing it into appropriate socket and twisting it clockwise in the correct direction.
2. Attach the brake into left handlebar.
3. Attach the left handlebar by placing it into appropriate socket and twisting it counter-clockwise in the correct direction.
4. Tighten the screw in the brake with the included wrench.



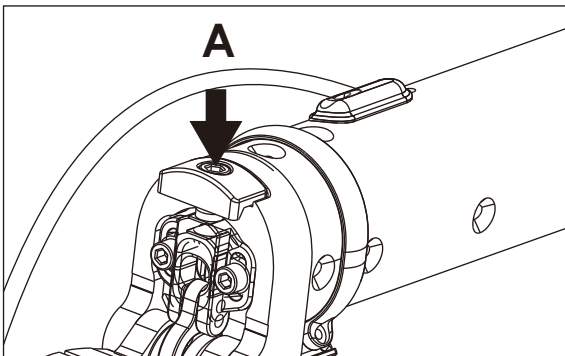
PINCH POINTS

Some parts of your Hover-1 Blackhawk can injure you if mishandled. Moving and folding parts can cut skin. Clamps and pivoting parts such as brake levers can pinch. When folding and unfolding your Hover-1 Blackhawk, Please watch for pinch points where possible injury may be sustained. Do not leave your hand in these areas during folding or unfolding.



LOCKING MECHANISM

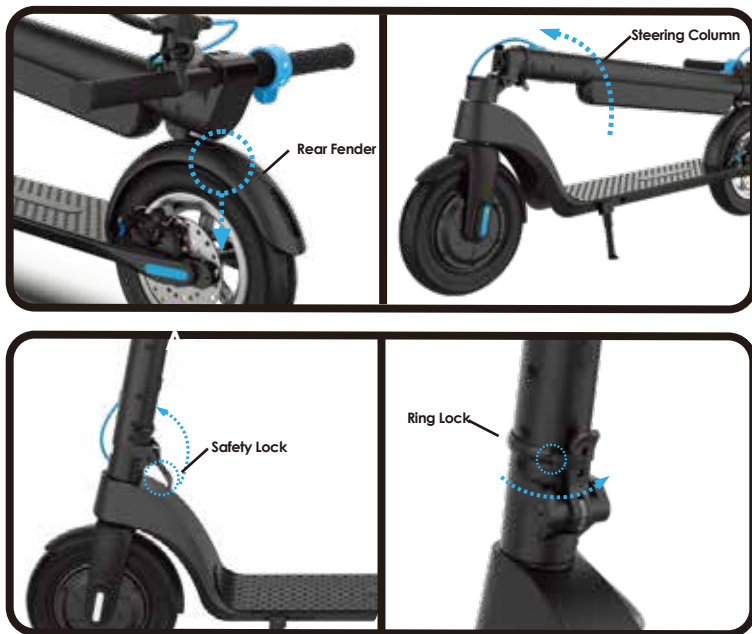
After riding the scooter, the locking mechanism may loosen over time. If you notice the steering column is loose, don't ride the scooter until it is fully secured. Use the 2.5 Allen wrench provided to tighten point "A" (marked below) until the locking mechanism fits securely. If you are unable to close the mechanism completely, you may need to loosen "A" slightly until the locking mechanism is able to close securely.



FOLDING & UNFOLDING

FOLDING & UNFOLDING YOUR BLACKHAWK SCOOTER.

To unfold your scooter, press down on the rear fender and pull the steering column up. Raise the safety lock up and push it into place to secure the steering column. Rotate the lock ring into place over the safety lock. Ensure the steering column is secured in place.



HEADLIGHTS

Make sure your scooter is turned on. Press the power button twice to turn your headlights and tail lights on or off.

SPEED MODES

The scooter will be in beginner mode when first used. To activate the other speed modes, ensure the Blackhawk is powered on. Press the mode button once, the speed mode indicator should light up white on your display to indicate Medium mode is activated. Press it once more and the light will change to red to indicate Sport mode is activated. Press the mode button twice, to turn your headlights and tail light on or off.

KICK TO START

For safety reasons, the scooter will not accelerate unless it is already moving at least 1.8mph (3km/h). You must first kick off the ground and then press the throttle in order to ride the scooter.

BEFORE RIDING

WARNING

Any Blackhawk Scooter that does not work properly can cause you to lose control and fall. Do not ride an Blackhawk with a part that is damaged; replace the damaged part before riding.

It is important that you fully understand all elements of your Blackhawk scooter. If these elements are not used correctly, you will not have full control of your Blackhawk. Before you ride, learn the functions of the various mechanisms on your scooter.

Practice using these elements of your Blackhawk at slower speeds in a flat, open area before taking the device out in public areas.

PRE-RIDE CHECKLIST

Ensure that your Blackhawk is in proper working order each and every time you ride. If a part of the Blackhawk scooter does not function correctly, please contact our Customer Support Center.

- Ensure the battery is fully charged before riding your scooter.
- If the Blackhawk scooter is not used for an extended period of time, you may need to recharge the battery every 2 months to maintain the battery life.
- Please wear all appropriate safety and protective gear as previously mentioned in the Operation Manual before operating your device.
- Make sure to wear comfortable clothes and flat closed-toe shoes when operating your device.
- Please carefully read the Operation Manual, which will assist in explaining the basic working principles and provide tips on how to best enjoy your experience.

RIDING YOUR BLACKHAWK SCOOTER

FAILURE TO FOLLOW ANY OF THE FOLLOWING SAFETY PRECAUTIONS CAN AND MAY LEAD TO DAMAGE TO YOUR DEVICE, VOID YOUR MANUFACTURER WARRANTY, LEAD TO PROPERTY DAMAGE, CAUSE SERIOUS BODILY INJURY, AND CAN LEAD TO DEATH.

OPERATING YOUR DEVICE

Make sure the device is fully charged before the first initial use. Before turning on your Blackhawk scooter, ride it like a normal kick scooter to get comfortable with the device before using it with the motor.

When comfortable riding the scooter, power it on. For the motor to activate, you must first start riding the scooter and then push the throttle down with your thumb.

To slow down the scooter, disengage the Throttle and squeeze the Brake handle to engage the disk brake. The Brake is pressure sensitive so a tighter grip means more stopping power.

To turn, use the handlebar to turn in the direction you wish to turn.

The Blackhawk scooter can be operated manually if you do not wish to use the motor.

As you get comfortable on the device, you will notice it becomes easier to maneuver. Remember at higher speeds, it is necessary to shift your weight to overcome the centrifugal force.

Prepare to brace yourself if you encounter bumps or uneven surfaces, then dismount and carry your Blackhawk to a safe operating surface.

WARNING

Do not turn sharply or at high speeds to avoid danger. Do not turn or ride quickly along slopes, as it may cause injury.

WEIGHT AND SPEED LIMITATIONS

Speed and weight limits are set for your own safety. Please do not exceed the limits listed in the "Specifications" section of this manual.

WARNING

Overweight exertion on the device may increase possibility of injury or product damage.

OPERATING RANGE

The following are some of the major factors that will affect the operating range of your device.

- **Terrain:** Riding distance is highest when riding on a smooth, flat surface. Riding uphill and/or on rough terrain will reduce distance significantly.
- **Weight:** A lighter user will have further range than a heavier user.
- **Ambient temperature:** Please ride and store the device under recommended temperatures, which will increase driving distance; battery life, and overall performance of your device.
- **Speed and Riding Style:** Maintaining a moderate and consistent speed while riding produces maximum distance. Traveling at high speeds for extended periods, frequent starts and stops, idling and frequent acceleration or deceleration will decrease overall distance.

*Do not attempt to stop suddenly as this may lead to injury or damage to your brake discs.

WARNING

Proper use of your brake is vital to ensure safe, efficient stopping. To avoid misuse and potential injury, do not apply sudden or excessive force to your brake. Apply the brake gradually and give yourself enough room to come to a complete stop safely.

Please follow all local, state and federal laws in regards to recycling, handling and disposing of Lithium-ion Battery.

WARNING

SEEK IMMEDIATE MEDICAL ASSISTANCE IF YOU ARE EXPOSED TO ANY SUBSTANCE THAT IS EMITTED FROM THE BATTERY.

SAFETY ALERTS

While riding your Blackhawk Scooter, if there is a system error or illegal operation performed the device will prompt the user in a variety of ways.

The following are common occurrences where you will see Safety Alerts. These notices should not be ignored, but appropriate action should be taken to correct any illegal operation, failure or errors.

- Prohibited riding surfaces (uneven, too steep, unsafe, etc.)
- Battery voltage is too low.
- The device is still charging.
- Overheating, or motor temperature is too high.
- When the battery is about to run out of power, the battery icon will flash.
- If any or both tires are blocked, the device will stop after 10 seconds.
- When the battery level has depleted below protection mode, the device motor will power off after 15 seconds.

While sustaining a high discharge current during use (such as riding up a steep slope for a long period of time), the device motor will power off after 15 seconds.

WARRANTY

For warranty information, Please visit us at:
www.hover-1.com

Error codes	A: Communication fault between instrument and controller.
	B: Accelerator fault.
	C: Motor Hall fault.

Manufacturer: DGL Group, Ltd.
195 Raritan Center Parkway Edison, NJ 08837

Affix Serial Number Label Here:

--



@RideHover1



@RideHover1



@RideHover1



www.Hover-1.com