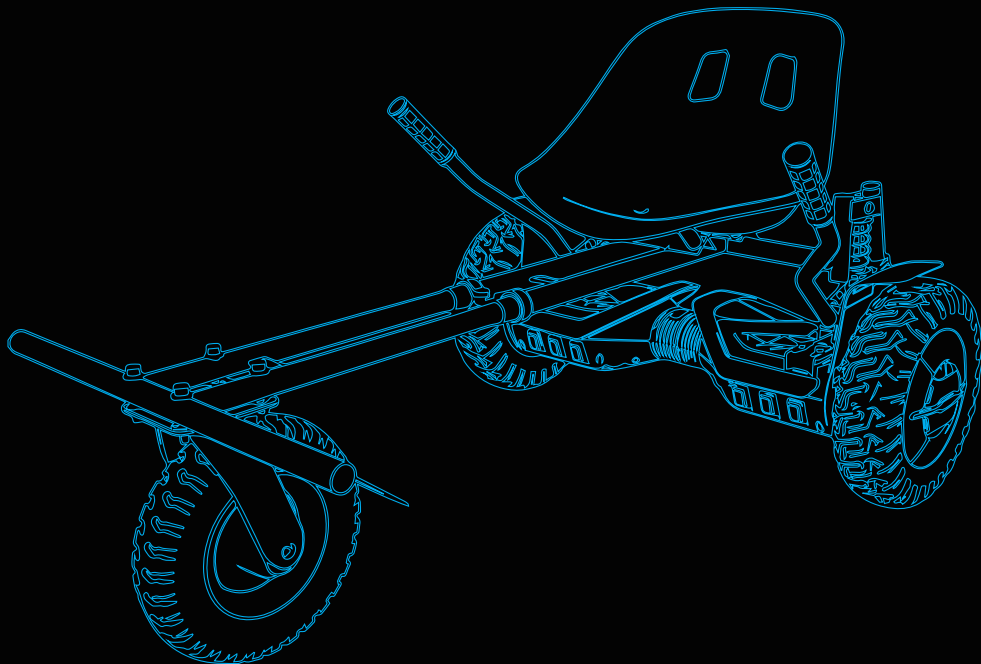




BEAST BUGGY





BEAST BUGGY



Operation Manual HY-BST-BGY
IMPORTANT: KEEP FOR FUTURE REFERENCE

**Images used in this manual may vary slightly from the product and are for reference purposes only.*

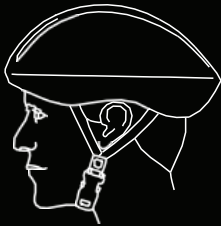


Even if you have ridden a scooter for years, it is important for you and every rider to read this manual before using this product.

 **WARNING**

HELMETS SAVE LIVES!

Always wear a properly fitted helmet that complies with CPSC or CE safety standards when you ride your scooter.



Correct Fitting:
Make sure your helmet covers your forehead.



Incorrect Fitting:
Forehead is exposed and vulnerable to serious injury.

INTRODUCTION

This manual is designed to give you the information you need for the safe operation and maintenance of your new Hover-1 Beast Buggy. Please read it thoroughly before riding your Hover-1 Beast Buggy.

WARNING

Make sure you read this complete manual before riding your Hover-1 Beast Buggy. Failure to do so, or failure to follow its guidelines could lead to serious injury or death.

Section One of this manual involves safety and Hover-1 Beast Buggy care. Understanding and following this information will help you and your Hover-1 Beast Buggy avoid injury or damage.

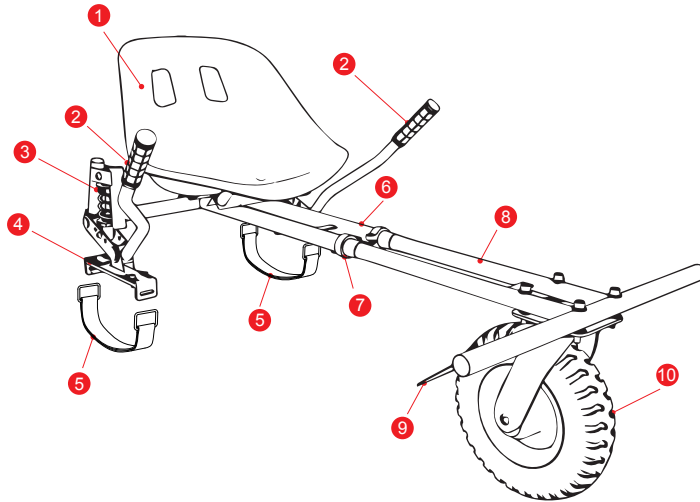
Section Two of this manual gives assembly and installation instructions for your Hover-1 Beast Buggy.

Section Three of this manual covers specific safety and operating instructions for your Hover-1 Beast Buggy. Even if you are an experienced rider, you should review this section before your first ride.

Section Four of this manual covers warranty specifications of your Hover-1 Beast Buggy.

HOVER-1 BEAST BUGGY DIAGRAM

1. Seat
2. Handle Bars
3. Shock Absorbing Coils
4. Pedal Mounts
5. Hook and Loop Elastic Strap
6. Seat Frame
7. Locker
8. Frame Extension
9. Foot Rests
10. Caster Wheel

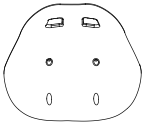
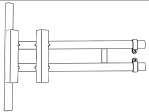
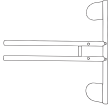
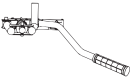
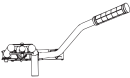






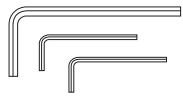
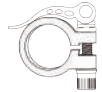




SPECIFICATIONS

Compatibility:
Max Load:
Max Speed:
Tire Size:
Seat Material:

Most self-balancing electric scooters with 10" wheels
See max load of your self-balancing scooter
See max speed of your self-balancing scooter
8" swivel caster
PP

PARTS LIST

	(1) Seat
	(1) Seat Frame
	(1) Frame Extension
	(1) Right Handle Bar
	(1) Left Handle Bar
	(1) Caster Wheel
	(6) Hook and Loop Elastic Strap

	(4) Small Foam Pad
	(1) Wrench
	(1) Allen Wrench Set
	(2) Locker
	(6) Large Screws
	(4) Small Screws
	(6) Large Washers
	(6) 8mm Nut

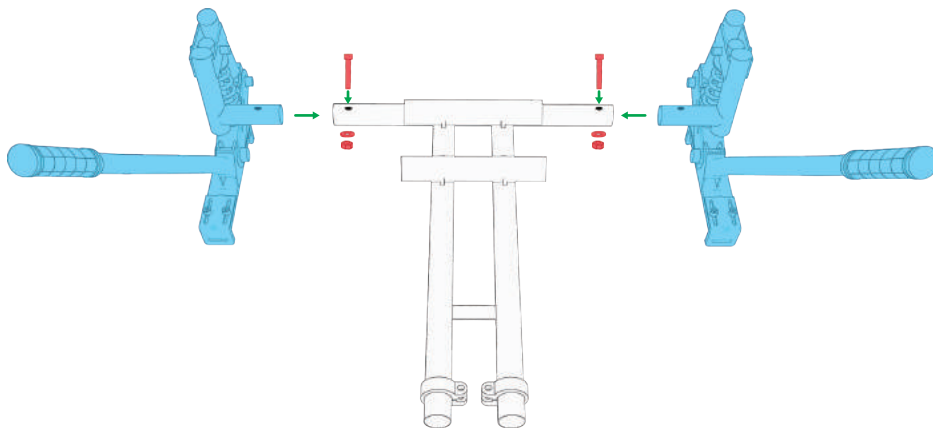
ASSEMBLING YOUR HOVER-1 BEAST BUGGY

If you have questions or concerns about any of these steps, please feel free to contact our Customer Service Team at www.hover-1.com. Someone will be in touch to walk you through these steps.

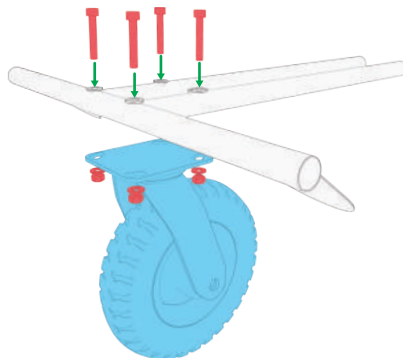
Carefully follow the steps shown on the following pages for assembling the Hover-1 Beast Buggy.

Remove all Hover-1 Beast Buggy contents from the box. Ensure all contents from the "Parts List" section are accounted for.

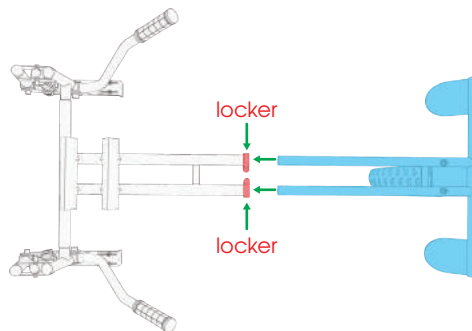
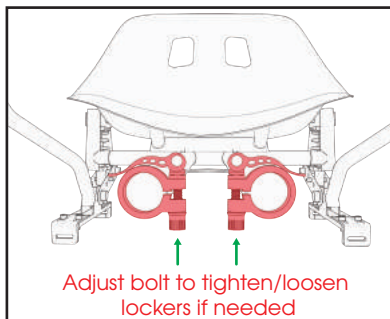
1. Using the two large screws and washers, attach the handle bars to the appropriate sides of the seat frame as shown below. Tighten with included Allen wrench.



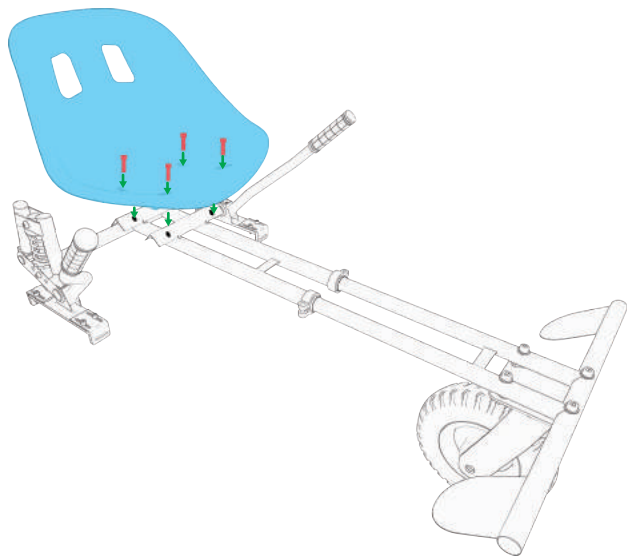
2. Align the caster wheel to the screw holes in front of the frame extension. Secure the caster wheel in place using the included Allen wrench, four large screws, four large washers and four nuts.



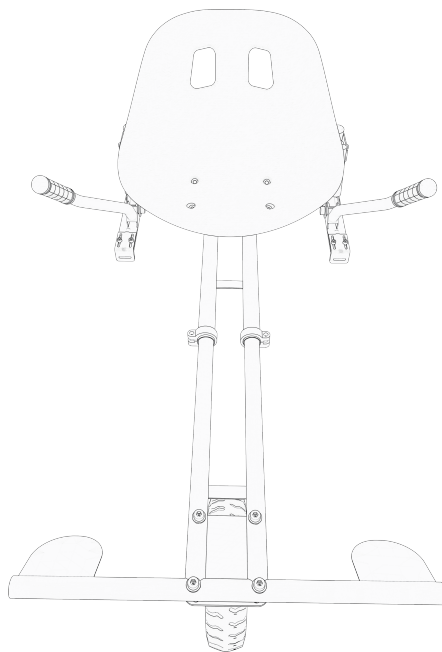
4. Attach the lockers onto the the seat frame and insert the frame extension into the seat frame. Adjust the frame extension to preferred length. Secure the frame extension in place using the two lockers. You can tighten the lockers if needed by adjusting the bolt.



3. Align the holes of the seat with the seat frame. Secure the seat in place using the included Allen wrench and four small screws.



4. Your Hover-1 Beast Buggy is now completely assembled and should look like the below image.



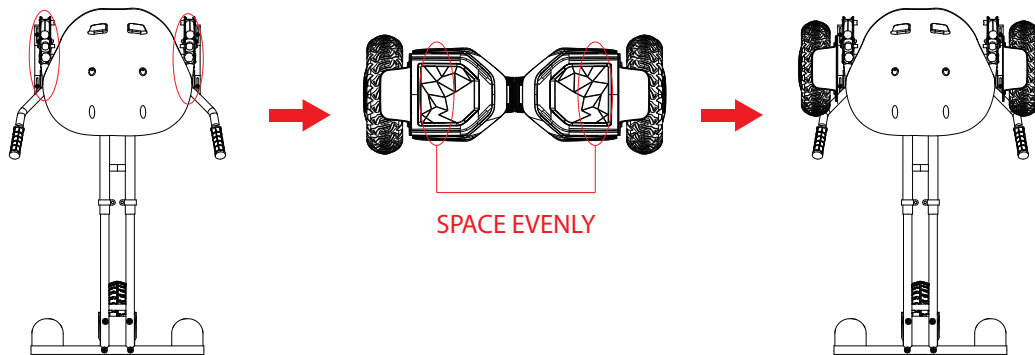
INSTALLING YOUR HOVER-1 BEAST BUGGY

If you have questions or concerns about any of these steps, please feel free to contact our Customer Service Team at www.hover-1.com. Someone will be in touch to walk you through these steps.

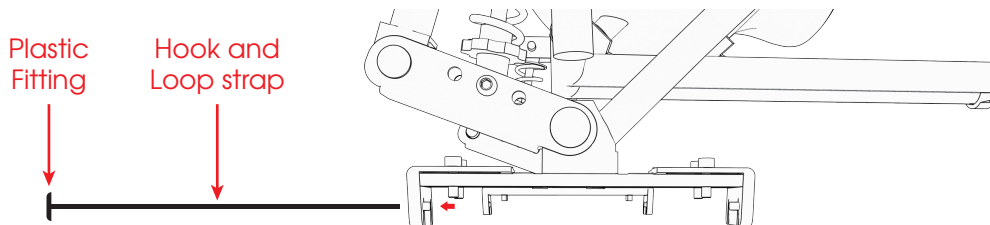
Carefully follow the steps shown on the following pages for installing the Hover-1 Beast Buggy onto your electric scooter. Read the remainder of this manual before riding your Hover-1 Beast Buggy.

Your Hover-1 Beast Buggy should be completely assembled prior to installing it onto your electric scooter. Please refer to the "Assembling your Hover-1 Beast Buggy" section for assembling procedures.

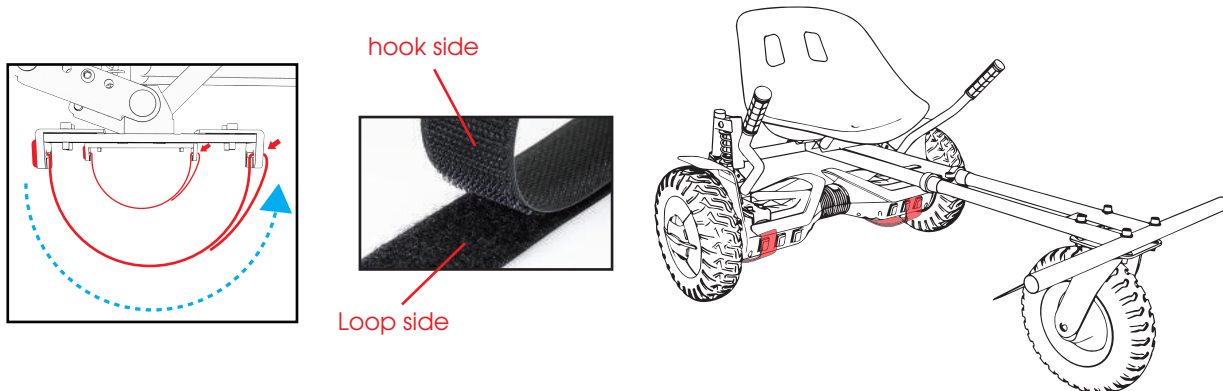
1. Place the pedal mounts onto the foot pedals of your self-balancing scooter with the front wheel facing forward. Ensure the pedal mounts are centered on the foot pedals of your scooter as much as possible.



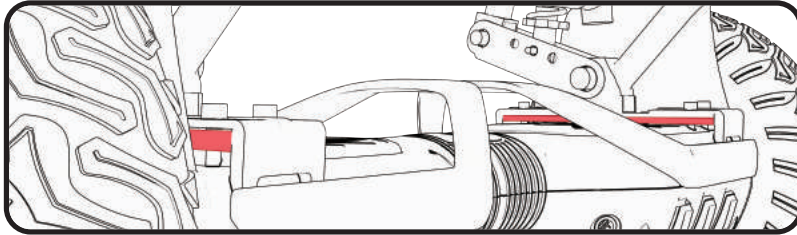
2. Using two hook and loop elastic straps, place the hook and loop side of strap downward and then pull each strap through the holes on back of each pedal mount. Pull the straps all the way through until the plastic fitting meets the pedal mount. Keep the four extra hook and loop elastic straps for replacement parts.



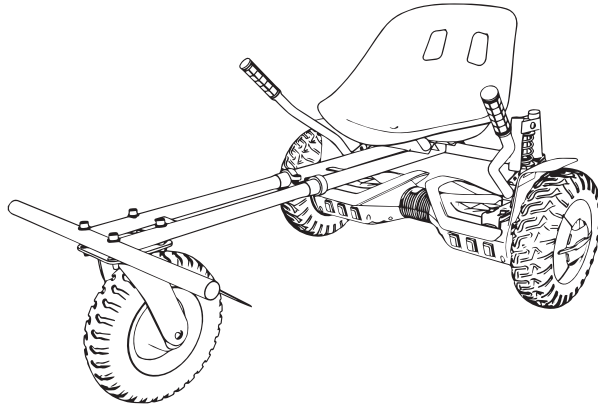
3. Wrap each hook and loop strap under your self-balancing scooter and pull the loose ends through the holes on front of each pedal mount. Make sure your scooter is secured by tightening and fastening the hook side to the loop side of each strap.



4. **WARNING:** Do not overtighten straps when you are assembling your Beast Buggy to your scooter. Ensure that the Beast Buggy is secure to the scooter when attaching. Ensure the foam pads are attached to the bottom of the pedal mounts so that the Beast Buggy does not touch the footpad sensors on the scooter. See below diagram for correct fitting.



5. Your Hover-1 Beast Buggy should be properly installed onto your scooter as shown below.



BEFORE RIDING



WARNING

Any scooter that does not work properly can cause you to lose control and fall. Inspect the entire device thoroughly before every ride, and do not ride it until any problems have been corrected.

HOVER-1 BEAST BUGGY OPERATION

It is important that you fully understand all elements of your Hover-1 Beast Buggy. If these elements are not used correctly, you will not have full control of your Hover-1 Beast Buggy. Before you ride fast, or outside of a controlled environment, learn the functions of the various mechanisms on your Hover-1 Beast Buggy.

Practice using the elements of your Hover-1 Beast Buggy at slower speeds in a flat, open area before taking the Hover-1 Beast Buggy to unfamiliar areas.



WARNING

Do not ride a Hover-1 Beast Buggy with a part that is damaged; replace the damaged part before riding.

PRE-RIDE HOVER-1 BEAST BUGGY CHECKLIST

Ensure that your Hover-1 Beast Buggy and scooter are in proper working order each and every time you ride. If a part of the Hover-1 Beast Buggy does not function correctly, please contact our Customer Support Center.

- Ensure your tire pressure is at the suggested PSI level for your scooter before riding.
- Ensure the battery of your scooter is fully charged before riding your Hover-1 Beast Buggy.
- Ensure that the screws on the Hover-1 Beast Buggy are locked firmly before each ride.
- Check to ensure the tires of your scooter are not worn.
- Check to ensure all connections are maintained on your scooter.

SAFETY PRECAUTIONS

The first rule in safe riding is to use common sense. A Hover-1 Beast Buggy is vulnerable; it cannot protect you in a crash, against impact, or loss of control the way driving a car can. A Hover-1 Beast Buggy can tip over sideways or pitch you over the front wheel. It moves faster than a typical scooter. It does not have bumpers or airbags as a car does. This section is a guide of safe riding practices for operation. Make sure you are using your Hover-1 Beast Buggy properly.

Different localities and countries have different laws governing riding on public roads, and you should check with local officials to ensure you are complying with these laws.

Hover-1 is not liable for tickets or violations given to riders who do not follow these regulations.

- For your safety, always wear a helmet that meets CPSC or CE safety standards. In the event of an accident, a helmet can protect you from serious injury and in some cases, even death.
- Obey all local laws, stop signs, pedestrian crosswalks, etc.
- If riding with friends and multiple Hover-1 Beast Buggies, ride single file in a straight line.
- Have a satisfactory signaling device (bell, horn, etc.) to warn drivers and pedestrians of your approach.
- Ride defensively; expect the unexpected.
- Give pedestrians the right-of-way.
- Do not ride too close to pedestrians and alert them if you intend to pass them from behind.

- Slow down at all street intersections and look to the left and right before crossing.
- Obey all traffic signals.
- Always use proper hand signals for turning and stopping. Give signals 100ft before stopping or turning and always return both hands to the handle bars before stopping or turning.
- Watch for cars pulling out into traffic and for the sudden opening of car doors.
- Avoid potholes, drainage grates or other hazards.
- Be careful when riding on soft road edges, gravel, sand and uneven surfaces. Ride slowly and avoid quick turns when riding on these surfaces.
- Never hitch onto other vehicles.
- Do not “stunt” ride or race in traffic.
- Do not weave in and out of traffic or swerve from side to side.
- A crash can put extraordinary stress on Hover-1 Beast Buggy components, possibly causing them to fatigue prematurely. Components suffering from stress fatigue can fail suddenly, causing loss of control or serious injury.

CAUTION: RIDING IN WET WEATHER

Brakes do not work as well under wet conditions as they do when dry. It is recommended that you do not ride your Hover-1 Beast Buggy in wet weather, as there are electronic components of scooter that may be damaged if exposed to water.

1. This product is strictly forbidden to use on roads and highways, unless your local laws state otherwise. You must wear a safety helmet, knee and elbow pads and other necessary protective gear when riding your Hover-1 Beast Buggy.
2. Due to the particularity of the product, the assembly pieces are to be checked before every ride to avoid an accident while riding.
3. Do not make a sharp turns as you may drift and overturn the Hover-1 Beast Buggy which can result in injury to yourself and/or damage the unit.



WARNING:

To reduce the risk of injury, adult supervision is required. Never use in roadways, near motor vehicles, on or near steep inclines or steps, swimming pools or other bodies of water; always wear shoes, and never allow more than one rider.

RIDING YOUR HOVER-1 BEAST BUGGY

Ensure your Hover-1 Beast Buggy is fully assembled and correctly installed onto your scooter with all straps and screws secured in place. Ensure your scooter is properly maintained as well. Failure to do so may result in serious bodily harm or death and damage to the unit.

After reviewing the pre-ride checklist, follow the steps below to begin riding your Hover-1 Beast Buggy.

1. Turn on your scooter.
2. Sit comfortably in the Hover-1 Beast Buggy seat.
2. Place your feet onto the foot rests.
3. Firmly grip both handle bars and slowly push them downward simultaneously to move forward.
4. When riding, slowly pull both handle bars upwards simultaneously to brake.
5. To reverse, slowly pull both handle bars upwards simultaneously.
6. To turn left, push the right handle bar down while holding the left handle bar in neutral position.
7. To turn right, push the left handle bar down while holding the right handle bar in neutral position.

WARRANTY

For warranty information, Please visit us at:
www.hover-1.com



www.hover-1.com



@RideHover1



@RideHover1



@RideHover1