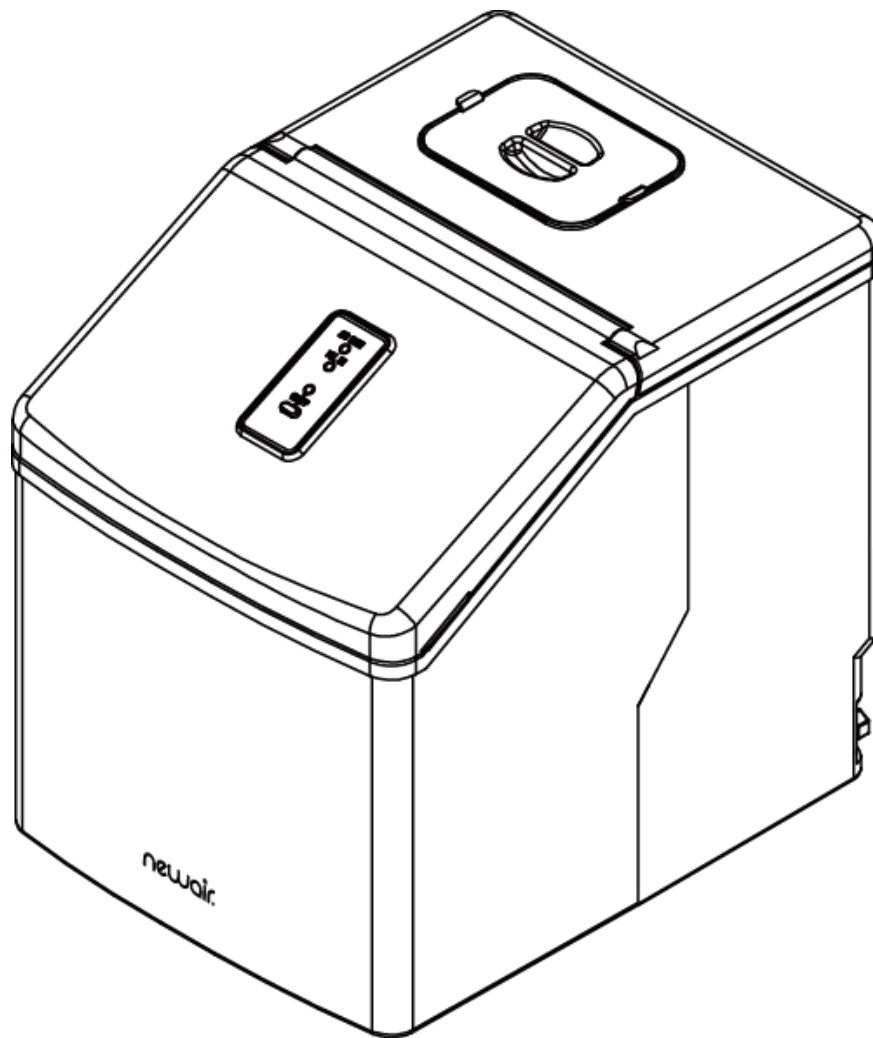


newair®

SKU: ClearIce40

Countertop Clear Ice Maker



OWNER'S MANUAL

Read and save these instructions.



Intertek

Manual v1.2

READ AND SAVE THESE INSTRUCTIONS

TABLE OF CONTENTS

Register Your Product Online.....	3
Important Safety Instructions.....	4
Preparing Your Ice Maker for Use.....	5
Getting to Know Your Unit.....	7
Operating Procedures and Maintenance.....	8
Using Your Ice Maker.....	11
Troubleshooting.....	13
Limited Manufacturer's Warranty.....	14

SPECIFICATIONS

Model No.:	ClearIce40
Protection Type:	I
Power:	115V/60Hz
Ice Making Current:	1.6A
Ice Harvest Current:	2.6A
Refrigerant:	R600a 1.13oz/32g
Design Pressure:	88 Psig (Low Side) 260Psig (High Side)
Net Weight:	24 Pounds
Enclosure:	Stainless Steel

REGISTER YOUR PRODUCT ONLINE

Register Your NewAir Product Online Today!

Take advantage of all the benefits product registration has to offer:



Service and Support

Diagnose troubleshooting and service issues faster and more accurately



Recall Notifications

Stay up to date for safety, system updates and recall notifications



Special Promotions

Opt-in for NewAir promotions and offers

Registering your product information online is safe & secure and takes less than 2 minutes to complete:

newair.com/register

Alternatively, we recommend you attach a copy of your sales receipt below and record the following information, located on the manufacturer's nameplate on the rear of the unit. You will need this information if it becomes necessary to contact the manufacturer for service inquiries.

Date of Purchase: _____

Serial Number: _____

Model Number: _____

IMPORTANT SAFETY INSTRUCTIONS

Your safety and the safety of others are very important. We have provided many important safety messages in this manual for your appliance. Always read and adhere to all safety messages.

All safety messages will follow the safety alert symbol and the word “DANGER”, “WARNING” or “CAUTION”



These words mean **YOU CAN BE KILLED OR SERIOUSLY INJURED IF YOU DO NOT FOLLOW THE PROVIDED INSTRUCTIONS.**

All safety messages will tell you what the potential hazard is, how to reduce the chance of injury, and what can happen if the instructions are not followed.

PREPARING YOUR ICE MAKER FOR USE

IMPORTANT SAFETY TIPS



WARNING: When using electrical appliances, basic safety precautions should be followed to reduce the risk of fire, electric shock and injury to persons or property. Read all instructions before using any appliance.

1. Do not operate this, or any other appliance, with a damaged cord.
2. Connect to properly polarized outlets only. No other appliance should be plugged into the same outlet. Be sure that the plug is fully inserted into the receptacle.
3. Do not run the power cord over carpeting, or other heat insulators. Do not cover the cord. Keep the cord away from traffic areas and do not submerge in water.
4. We do not recommend the use of an extension cord, as it may overheat and become a risk of fire. If you must use an extension cord, use No. 14 AWG minimum size and rated no less than 1875 watts.
5. Unplug the ice maker before cleaning or making any repairs or servicing.
6. Exercise caution and use reasonable supervision when the appliance is near children.
7. Do not use your ice maker outdoors. Place the ice maker away from direct sunlight and make sure that there are at least six inches of space between the back of your unit and the wall. Keep a minimum distance of six inches on each side of your unit free.
8. Do not use other liquid to make the ice cubes other than water.
9. Do not clean your ice maker with flammable fluids. The fumes can create a fire hazard or explosion.
10. Do not tip over.
11. If the ice maker is brought in from the outside during the winter, give it a few hours to warm up to the room temperature before plugging it in.



WARNING: This appliance must be grounded.



DANGER: Risk of fire or explosion. Flammable refrigerant used. Do not use mechanical devices to defrost ice maker. Do not puncture refrigerant tubing.



DANGER: Risk of fire or explosion. Flammable refrigerant used. To be repaired only by trained service personnel. Do not puncture refrigerant tubing.



CAUTION: Risk of fire or explosion. Flammable refrigerant used. Consult the repair manual/owner's guide before attempting to install or service this product. All safety precautions must be followed.



CAUTION: Risk of fire or explosion. Flammable refrigerant used. Dispose properly in accordance with Federal or local regulations.



CAUTION: Risk of fire or explosion due to puncturing of refrigerant tubing. Follow handling instructions carefully. Flammable refrigerant used.



CAUTION: The ice maker should be installed in accordance with the safety standard for refrigeration systems, ASHRAE15. The ice maker should not be installed in corridors or hallways of public buildings.



CAUTION: If there is a problem with the unit, servicing should always be done by factory authorized personnel, in order to minimize the risk of possible ignition due to incorrect parts or improper service.

IMPORTANT: The wires in the main lead are colored in accordance with the following code:

Green or green with a strip of yellow:

White:

Black:

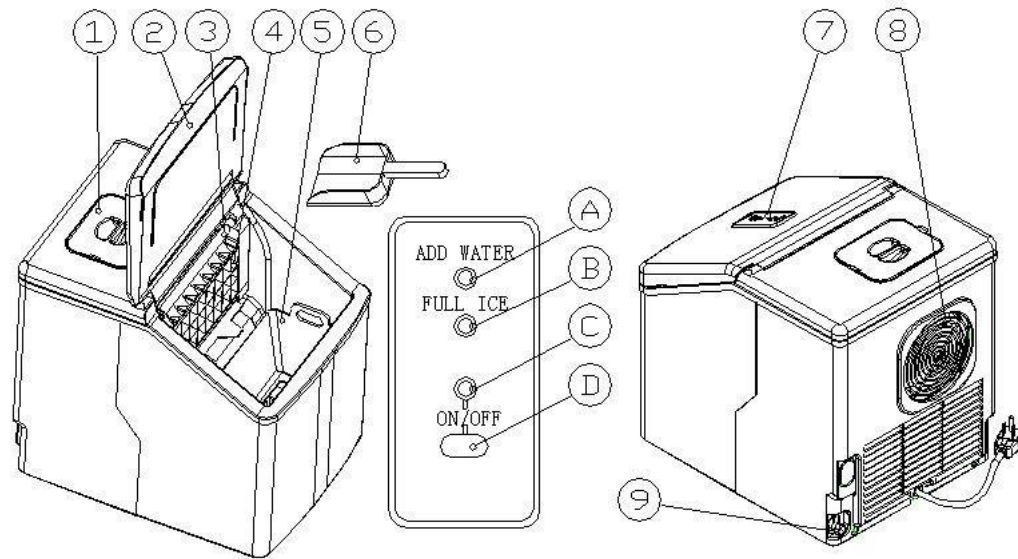
Ground

Neutral

Live

To avoid a hazard due to the instability of the appliance, it must be placed on an even or flat surface.

GETTING TO KNOW YOUR UNIT



1. Cover for water reservoir
2. Lid
3. Water separator pipe
4. Evaporator
5. Ice basket
6. Ice scoop
7. Control panel: easy to use, visible functions touch display setting:
 - A. Add Water indicator
 - B. Ice Full indicator
 - C. Power indicator
 - D. Power on/off button
8. Hot air outlet
9. Water draining port (used to drain water from the unit)

OPERATING PROCEDURES AND MAINTENANCE

UNPACKING YOUR ICE MAKER

1. Remove the exterior and interior packaging. Check that the ice basket and the ice scoop are included. If any parts are missing, please contact our customer service.
2. Clean the interior with lukewarm water and a soft cloth. Take out the ice basket and clean it.
3. Find a location for your ice maker that is protected from direct sunlight and other sources of heat (i.e., stove, furnace, or radiator.) Place the ice maker on a level surface. Make sure that there are at least six inches of space between the back and sides of your ice maker and the wall.
4. Allow one hour for the refrigerant fluid to settle before plugging the ice maker in.
5. The appliance must be positioned so that the plug is accessible.

CONNECTING YOUR ICE MAKER



DANGER: Improper use of the grounded plug can result in the risk of electrical shock. If the power cord is damaged, please call our customer service.

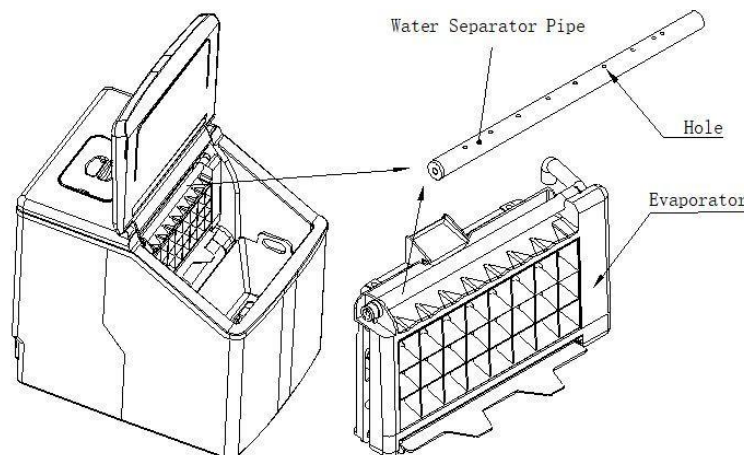
1. This unit should be properly grounded for your safety. The power cord of this appliance is equipped with a three-prong plug, which mates with a standard three prong wall outlet to minimize the possibility of electric shock.
2. Plug your appliance into an exclusive, properly installed, grounded wall outlet. Do not, under any circumstances, cut or remove the third (ground) prong from the power cord. Any questions concerning the power and/or grounding should be asked to an electrician.
3. This appliance requires a standard 110V to 120V, 60Hz electrical wall outlet with a three-prong ground.

CLEANING AND MAINTAINING YOUR ICE MAKER


WARNING: Before using your ice maker, it is strongly recommended to clean it thoroughly.

After using your ice maker for a long time, we also suggest you clean your unit, especially the water separator pipe and water filters.

1. Take out the ice basket.
2. Clean the interior with diluted detergent, warm water, and a soft cloth.
3. Use diluted detergent, warm water, and a soft cloth to rinse the inside parts, and drain out the water from the draining port by unplugging the drain cap on the back.
4. The outside of the ice maker should be cleaned regularly with a mild detergent solution and warm water.
5. Dry the interior and exterior with a soft cloth.
6. When the machine is not in use for a long time, open the water drain cap to drain water completely out from the water reservoir.
7. If the water separator pipe is blocked and there is no water flowing down when you listen, the compressor and the water pump inside are still working; please turn off the unit first, disassemble the pipe and clean it. Clean each hole on the pipe wall displayed in the following picture. After cleaning, install the water separator pipe and make sure the right terminal of the pipe is connected to the silicone pipe.



8. Clean the water tank and the big water reservoir with diluted detergent, warm water, and a soft cloth. Use the water to rinse the inside, and drain out the water from the draining port by unplugging the drain cap on the back. This will ensure the unit is properly maintained and operational.

9. When cleaning, if you find that the ice cubes are left on the evaporator and cannot be taken out easily, you can turn on the unit to let the unit enter the ice making process, then press the "ON/OFF" button for more than five (5) seconds to let the unit start the ice making process to melt the ice cube. It will help you remove the hard ice cubes.

DRAINING THE WATER FROM THE INTERNAL TANK AND BIG WATER RESERVOIR

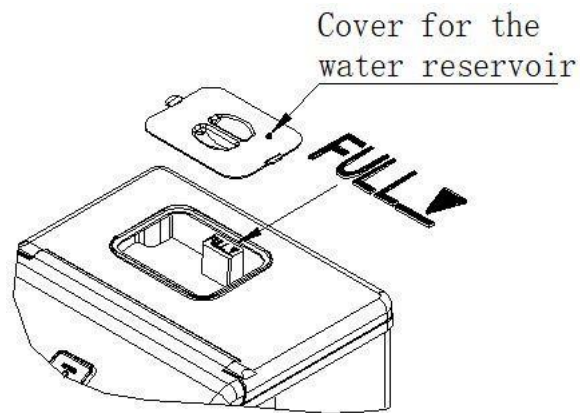
Because the water valve prevents water from draining in the reservoir, plug in the unit (but do not start the unit) and remove the drain port cap at the back if you plan on draining all the water. Wait a few minutes for all of the water to flow out.

USING YOUR ICE MAKER

1. Remove the cover of the water reservoir and pour potable water into the water reservoir. Be sure to keep the water level below the marked maximum FILL level.



CAUTION: Replace the back cover at once to avoid foreign matter entering.



WARNING: Do not pour water into the internal water tank located underneath the ice basket. This tank is not big enough and will affect the ice making performance.

2. Plug in the main power supply plug. Press the “ON/OFF” button on the control panel to begin the ice making cycle.

Note: After you plug in the main power supply plug, the green power indicator will be on for two seconds, then flash for three seconds. After you turn on the unit by pressing the “ON/OFF” button, the green indicator will keep lighting.

3. The ice making cycle will last anywhere from fifteen to thirty minutes, depending on the surrounding temperature. Each initial ice making cycle will usually take longer to complete as the unit needs time to reach maximum freezing temperature. In extreme hot room temperatures, ice making time may vary greatly, but should not exceed fifty minutes.

USEFUL INFORMATION: After plugging in the unit, press the “ON/OFF” button for more than five seconds, then release to start the unit. The unit will add three minutes to each ice making cycle automatically to thicken the ice cube. If you want to thicken your ice cubes, turn off the unit first, then press the “ON/OFF” button again for more than five seconds to turn on the unit again.

4. While the ice maker is on, verify the water level of the internal tank located underneath the ice basket periodically. If there is not enough water to last the ice making cycle, the unit will automatically let the water flow from the big water reservoir downward to the internal tank to continue the ice making process. If both the internal water tank and big water reservoir do not have enough water, the ice maker will stop automatically and the “ADD WATER” indicator will be on.

Note: Check to be sure that both the water filter located at the bottom of the big reservoir and the internal water tanks are not blocked by a foreign substance.

5. The ice maker automatically stops working when the ice basket is full and the “FULL ICE” indicator is on.
6. Change the water in the water reservoir every twenty-four (24) hours to ensure you are using clean water. If the unit is not in use for a long time, drain all the water that is left in the water tank and the water reservoir.

TROUBLESHOOTING

Problem	Possible Causes	Solution
The "ADD WATER" indicator is on.	Lack of water.	Stop the ice maker, fill water from the top big water reservoir up to the "FULL" mark, then press the "ON/OFF" button again to restart the unit.
The "FULL ICE" indicator is on.	There is too much ice.	Remove the ice from the ice basket.
The big reservoir is full of water, but the "ADD WATER" indicator is always on.	The water is distillation water, it is too pure.	Remove ice from the ice bucket.
	The water filler at the bottom of the water reservoir is blocked and water cannot enter into the lower water tank.	Clean the water filter.
No water flow out from the water separator pipe.	The hole on the wall of the water separate is blocked.	Use a slim wire to prick each hole until he water can flow out easily.
No water in the unit, but the "ADD WATER" indicator is not on and the unit cannot make an ice cube.	The water is not pure enough. It may be salt water, etc.	Change to normal potable water. Salt water is prohibited as it will damage the unit.
	The wall of the lower tank underneath the ice basket is too dirty.	Clean the water tank.
Ice cubes are too weak and thin.	The surrounding temperature is too hot.	Turn off the unit first, and then press the "ON/OFF" button again for more than five seconds to turn on the unit again. It will lengthen each ice making cycle time.
The ice making cycle is normal, but no ice is made.	The surrounding temperature or water temperature in the inner tank is too high.	Run the ice maker below 90°F and pour cold water into the tank.
	There is a refrigerant liquid leakage.	Verify by a qualified technician.
	The pipe in the cooling system is blocked.	Verify by a qualified technician.

LIMITED MANUFACTURER'S WARRANTY

This appliance is covered by a limited manufacturer's warranty. For one year from the original date of purchase, the manufacturer will repair or replace any parts of this appliance that prove to be defective in materials and workmanship, provided the appliance has been used under normal operating conditions as intended by the manufacturer.

Warranty Terms:

During the first year, any components of this appliance found to be defective due to materials or workmanship, will be repaired or replaced, at the manufacturer's discretion, at no charge to the original purchaser. The purchaser will be responsible for any removal or transportation costs, if needed.

Warranty Exclusions:

The warranty will not apply if damage is caused by any of the following:

- Power failure
- Damage in transit or when moving the appliance
- Improper power supply, such as low voltage, defective household wiring or inadequate fuses
- Accidents, alterations, misuse or abuse of the appliance, such as using non-approved accessories, inadequate air circulation in the room or abnormal operating conditions (extreme temperatures)
- Use in commercial or industrial applications
- Fire, water damage, theft, war, riot, hostility or acts of God, such as hurricanes, floods, etc.
- Use of force or damage caused by external influences
- Partially or completely dismantled appliances
- Excess wear and tear by the user

Replacement parts and/or units will be new, re-manufactured or refurbished and is subject to the manufacturer's discretion.

For technical support and warranty service, please email support@newair.com