

VOYAGER

E-SCOOTER



PROTON E-SCOOTER
USER'S MANUAL

INTRODUCTION

Thank you for purchasing your new Voyager Proton E-Scooter and welcome to the Voyager family. We hope that you'll do plenty of exploring on your new scooter. The Proton E-Scooter is compact, portable and packs plenty of power to get you where you're going. Please enjoy your new scooter responsibly and be sure to read the entire instruction manual before your first use. Have a blast, be safe and **Get Moving!**

SPECIFICATIONS

- Top Speed: 15 mph
- Power: 250W
- Battery Range: 10 Miles
- Weight: 19.8 lbs
- Max Rider Capacity: 220 lbs
- Wheel + Tire Size: 6 Inches
- Charge Time: Approx. 4 Hours
- Battery: 24V, 5Ah Lithium Ion
- Dimensions (Unfolded): 38.1" x 7.9" x 46"
- Dimensions (Folded): 38.1" x 7.9" x 18.9"
- Waterproof Level: IPX4
- Max Climbing Ability: 15°
- Lights: LED

IN THE BOX

- Voyager Proton E-Scooter
- Charging Adapter

CAUTION

As with any motorized vehicle, whenever you ride your Proton E-Scooter you may risk death or serious injury from loss of control, collision or falls. All riders should read, understand and take heed of the instructions in the user guide when riding.

BEFORE YOU RIDE

Prior to use, perform a quick visual check to verify that the scooter is in good shape and that your equipment is not damaged.

Make sure the battery is fully charged before your first use. The battery will take approximately 4 hours to charge to full from empty.

Ensure that you have appropriate safety gear. You should always wear a helmet when riding your Proton.

Find a safe environment to use the Proton. When you are starting out, we recommend a flat or mostly flat surface to get acquainted with the device and its controls. We do not recommend using your Proton in the rain or other wet conditions as it is unsafe and may cause damage to the scooter.

PLEASE NOTE

Improper operation may cause overheating or serious injury.

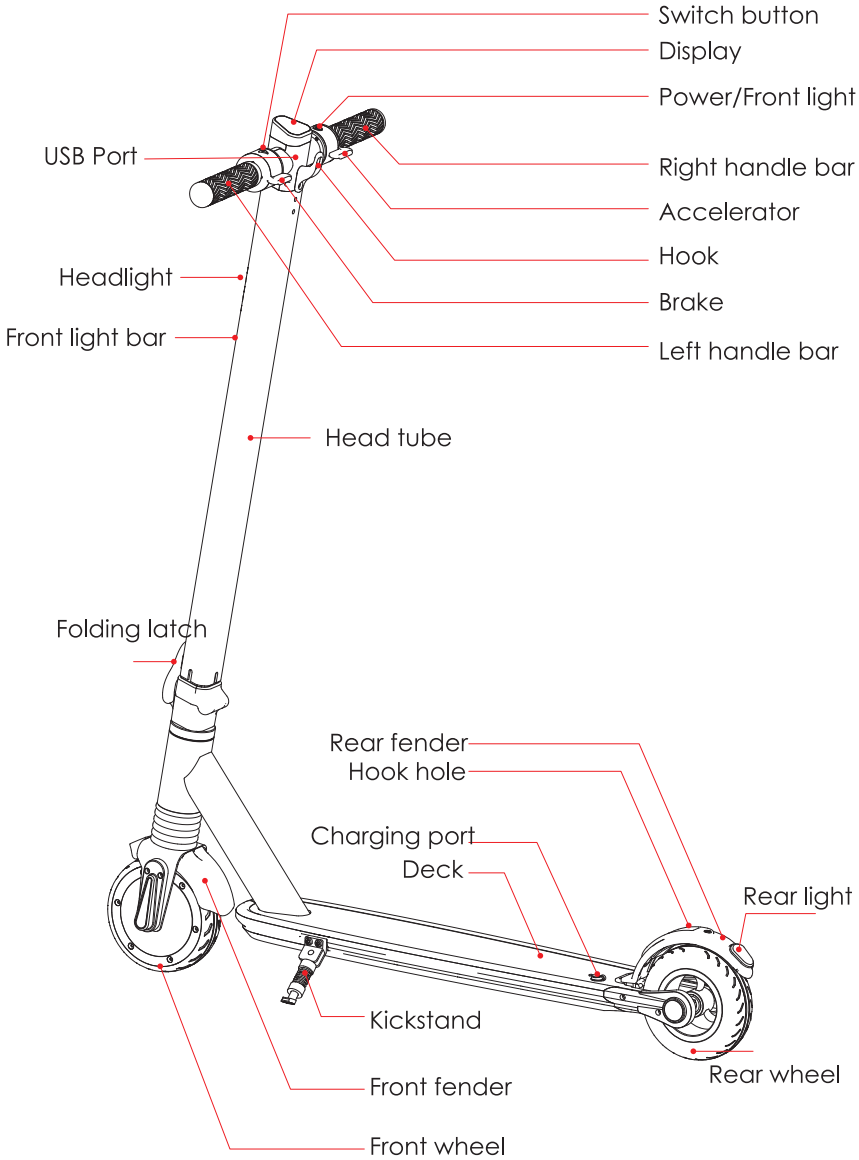
Do not tamper with the battery or any of the wiring or attempt to modify the vehicle.

Please only use official Voyager parts on your vehicle. Other parts are not guaranteed to work and will void your warranty.

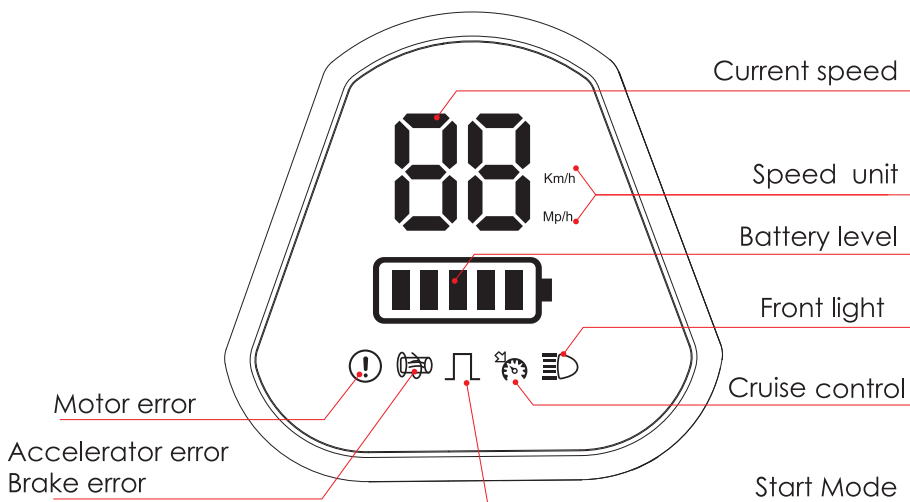
Do not use the vehicle if it is damaged, has been soaked with water or liquid, or if the battery pack has been damaged.

Do not charge the vehicle in abnormally hot, cold or wet conditions, like rain or direct sunlight. Charge in a shaded and dry location outside and away from any kind of combustible fuels

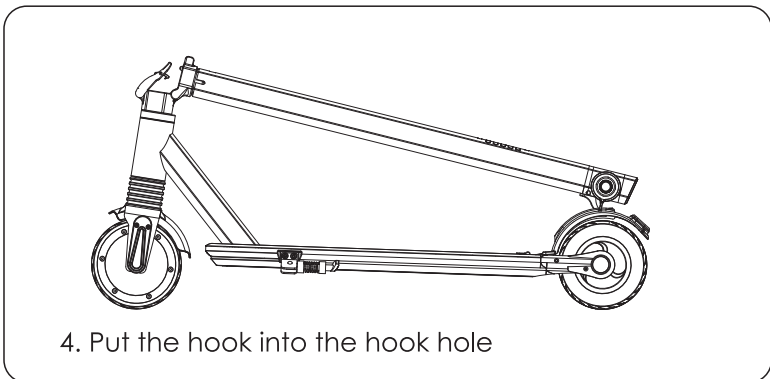
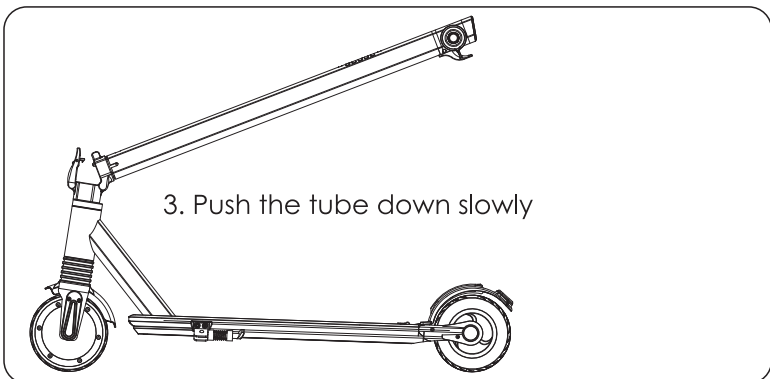
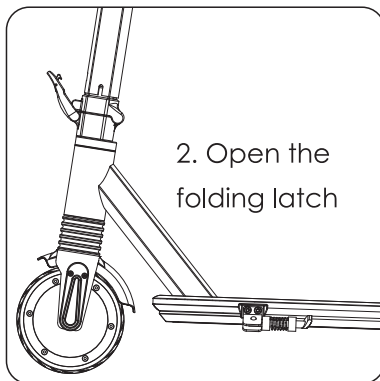
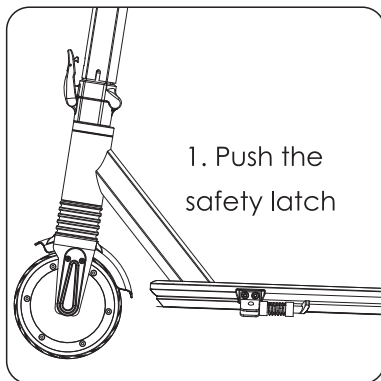
THE PROTON E-SCOOTER



PROTON DISPLAY



FOLDING



USING THE PROTON

Power button function description:

1. Power on/off:

Press and hold the red power button on the right side to power the scooter on.

Press and hold the button again to turn it off.

2. Gear switch:

Gear switch: Tap the left red button to change gears.

There are four gears: P1, P2, P3.

3. Lighting:

To turn the headlight on or off, tap the power button quickly. Once for on, then again for off. To turn the light up stem on, double tap the power button quickly. Double tap again to turn it off.

4. Settings:

Press and hold both the left and right buttons to enter settings mode. In the settings mode, press the right button to switch between the unit, startup, and cruise control modes.

Unit settings (C1)

Switch to mode C1 in the settings mode:

Tap the left button to switch between KMH and MPH.

Start mode setting (C2)

Switch to mode C2 in the settings mode:

Tap the left button to set the start mode of the scooter (slide start/zero start).

Cruise control setting (C3)

Switch to mode C3 in the settings mode:

Tap the left button to turn cruise control on/off.

USING THE PROTON

Startup Modes Explained:

When in the settings menu, on option C2, you can adjust the start mode on the Proton, selecting between slide start and zero start.

Slide start requires the scooter to already be in motion before the throttle will work. In this mode the scooter will not move forward from a complete stop and requires the rider to initially push the scooter into motion. Slide start mode helps your scooter conserve power and can prolong battery life.

Zero start allows you to get going from a complete stop. The scooter will immediately respond to the throttle control and move forward as soon as the control is pressed.

Pressing the left button when in mode C2 of the settings menu toggles between slide start and zero start, indicated by the icon in the bottom center of the screen.

How To Use Cruise Control:

Cruise Control is also enabled in the settings menu, in mode C3. Once you have navigated to mode C3, as explained on the previous page, you can press the left button to enable or disable cruise control.

With cruise control activated, your Proton scooter will automatically enter cruise control when the throttle is maintained at your desired speed for several seconds.

After you have maintained speed for several seconds, the cruise control symbol on the screen, indicated on page 4, will illuminate the small arrow located in the upper left of the symbol to let you know that cruise control is engaged.

To stop cruise control, use the brake switch on the left side of the handlebars.

SAFE RIDING

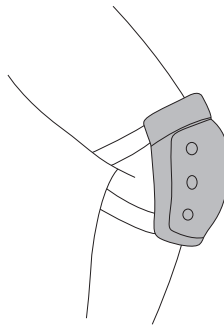
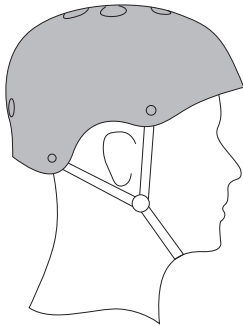
1. Do not lean too hard when accelerating or decelerating, and do not put most of your body weight over the handlebars.
2. Ride in a standing position and keep one foot in front of the other.
3. Keep the handlebar in line with your body when turning and be sure to look ahead before you turn.
4. When braking, lean your body weight back and keep your center of gravity low.



Strictly abide by local laws, regulations and traffic laws.

Do not ride this scooter in low visibility situations.

Do not use this scooter to do stunts as it will increase the probability of injury and damage to the scooter. Do not carry passengers. Always wear appropriate safety equipment, such as helmets and knee/elbow guards.



CHARGING

- 1) Ensure that the scooter is charging in a clean and dry environment, the input voltage is guaranteed between 110v-240v and that the charging cable is connected properly. The red light indicates the scooter is being charged.
- 2) When the light turns green, charging is completed.
- 3) Don't turn on the scooter during charging for your safety.
- 4) Disconnect the scooter from the charger when the charging is complete.

The Proton also has a built-in USB charging port which can be used to charge devices like smart phones or tablets from your scooter's battery. The charging port is located near the handlebars underneath the screen. To use the charging port, remove the protective cover and plug in your device.

MAINTENANCE

1) Battery maintenance:

In order to guarantee the battery life, when the battery level is low, please charge the scooter as soon as possible. (Note: When it is not in use for a long time, it is recommended that you charge it once a month). Do not attempt to check or replace the battery on your own. The most suitable temperature of the battery storage is 15°C -25°C; don't use or keep the scooter anywhere the temperature is higher than 40°C. Do not leave the scooter in a very hot car, because it may lead to the lithium battery's failure or even the combustion.

2) Tire maintenance:

In order to guarantee the tire life, please check the tires of the scooter regularly. Once the wheel or tire is abnormal, please repair or replace with an authentic Voyager replacement as soon as possible.

3) Appearance maintenance: Gently scrub the scooter body with water or mild detergent to clean it. Do not use any abrasives or strong chemicals.

TROUBLESHOOTING

1. The display is working but the motor is not working

a. The motor is damaged

If the front wheel doesn't turn and the motor is not running, check to see if the scooter feels hot. There may be a short circuit, and the scooter should immediately be powered off.

b. The scooter has been exposed to excessive moisture

Moisture getting inside the scooter can also cause damage and short circuiting. Power off the scooter immediately if you believe that it has been exposed to excessive moisture and is not working properly to avoid injury or further damage.

2. Charging Isn't working

a. The battery charging port is loose

You will need to replace the charging port with an authentic Voyager charging port.

b. The charger isn't plugged in properly.

Be sure that the charger is properly connected and plugged into a suitable wall outlet.

3. Scooter will not turn on

a. Make sure the battery isn't dead

If the battery is out of power, the scooter won't turn on and will need to be charged for approximately two hours.

b. The power button is not working properly

Check to see if the power button is stuck.

FCC COMPLIANCE

Changes or modifications not expressly approved by the party responsible for compliance could void the user's authority to operate the equipment.

This device complies with Part 15 of the FCC Rules. Operation is subject to the following two conditions: (1) this device may not cause harmful interference, and (2) this device must accept any interference received, including interference that may cause undesired operation.

This equipment has been tested and found to comply with the limits for a Class B digital device, pursuant to Part 15 of the FCC Rules. These limits are designed to provide reasonable protection against harmful interference in a residential installation. This equipment generates, uses and can radiate radio frequency energy and, if not installed and used in accordance with the instructions may cause harmful interference to radio communications. However, there is no guarantee that interference will not occur in a particular installation.

If this equipment does cause harmful interference to radio or television reception, which can be determined by turning the equipment off and on, the user is encouraged to try to correct the interference by one or more of the following measures:

- Reorient or relocate the receiving antenna.
- Increase the separation between the equipment and receiver.
- Connect the equipment into an outlet on a circuit different from that to which the receiver is connected.

WARRANTY

This warranty covers the original consumer purchaser only and is not transferable.

This warranty covers products that fail to function properly UNDER NORMAL USAGE, due to defects in material or workmanship. Your product will be repaired or replaced at no charge for parts or labor for a period of one year.

What Is Not Covered by Warranty

Damages or malfunctions not resulting from defects in material or workmanship and damages or malfunctions from other than normal use, including but limited to, repair by unauthorized parties, tampering, modification or accident.

To Obtain Warranty Service and Troubleshooting Information:

Call (877) 444-0345 in the U.S. or visit our website at www.ridevoyager.com.

To receive Warranty service along with the name and address of an authorized product service center, the original consumer purchaser must contact us for problem determination and service procedures. Proof of purchase in the form of a bill of sale or receipted invoice, evidencing that the product is within the applicable Warranty period(s), MUST be presented in order to obtain the requested service. It is your responsibility to properly package and send any defective products along with a dated copy of proof of purchase, a written explanation of the problem, and a valid return address to the authorized service center at your expense. Do not include any other items or accessories with the defective product. Any products received by the authorized service center that are not covered by warranty will be returned unrepai red.

LOCAL LAWS

Prior to purchasing any motorized vehicle, we highly recommend that you research your local regulations and country-specific laws. Ultimately, you are responsible for complying with all applicable laws and regulations. Voyager waives all liability relating to your use of Voyager products.

The image features a deep blue background filled with numerous small, white, star-like specks. A bright, multi-pointed starburst of light is centered horizontally, casting a horizontal glow across the middle of the frame. The word "VOYAGER" is written in a bold, white, sans-serif font across the center, with the first letter 'V' being stylized with a blue swoosh. The text is positioned slightly below the starburst.

VOYAGER